



Trex® RainEscape®
DECK DRAINAGE SYSTEM

INSTALLATION GUIDE



CREATE
A DRY
SPACE
below your deck

Protect the space below your deck
FROM RAIN, SUN & OTHER ELEMENTS

WATER IS DIRECTED INTO A
WATER DRAINAGE SYSTEM



EXPAND YOUR
OUTDOOR LIVING SPACE



Trex® RainEscape®

DECK DRAINAGE SYSTEM



INSTALLATION GUIDE

This installation guide provides step-by-step instructions on how to install Trex RainEscape on an elevated deck. Please read through these instructions carefully.

Scan the QR code to view installation videos.



CONTENTS

BASIC INSTALLATION

Parts	4
Tools	4
Preparation	5
Installing the Trex RainEscape Downspout	5
Installing the Trex RainEscape Trough	6
Tape all Seams	8
Types of Flashing	8
Installing Fascia.....	10
Installation of a Gutter System	10
Installing Trex Rainescape Soffit Lights.....	11

MODIFICATIONS & SPECIAL CASES

Single Picture Frame or Breaker Board	13
Double or Triple Picture Frame	13
Using the Trex RainEscape Post Flash	14
Obstructions & Posts	15
Surface Post Mount.....	16
Cantilevered Downspout	16
Installation of a Trough Over a Double or Triple Joist/Bearer	17
Modifying Downspouts for Obstructions	18
Cutting Around Downspouts and Obstructions	18
Double Extended Decks (over 5.79 m).....	18
Installing Can Lighting	19
Installing Over Deck Steps.....	19

INSTALLATION OVER A STEEL JOIST SYSTEM..... 20

WARRANTY 22

FREQUENTLY ASKED QUESTIONS 23

**Refer to installation sheet for most current updates*

BEFORE YOU BEGIN

ALWAYS CONSULT WITH THE LOCAL BUILDING CODE OFFICIAL PRIOR TO INSTALLING THE SYSTEM TO ENSURE YOU ARE MEETING ALL CODE AND SAFETY REQUIREMENTS. TREX IS NOT RESPONSIBLE FOR IMPROPER OR NON-RECOMMENDED INSTALLATIONS.



Scan this QR code to view a video on design and layout considerations to keep in mind when installing the Trex RainEscape system.

DO'S

Make all joists straight and square.

Add outlets to gutter every 3.65 m - 4.26 m.

Cover all joists and blocking with trough material, then butyl tape.

Cover the Trex RainEscape system with deck boards.

Ensure the troughs and downspouts are dry and clear of debris before applying tape.

Acclimate the trough before installing.

Install the trough material with the shiny side up. Only use Trex RainEscape branded products.

DON'TS

Do not staple Trex RainEscape products anywhere other than into or over floor joists, ledger, rim joists, or headers.

Do not use spiked hidden fasteners, fasteners that go in at an angle, or any fastener without a flat base to provide pressure to butyl tape.

Do not pre-drill decking on Trex RainEscape.

Do not stand anywhere other than the top of the floor joists, ledger, rim joists, or headers. The Trex RainEscape system can not support body weight.

Do not use nails to attach the deck boards above the Trex RainEscape system.

HELPFUL TIPS

THE TREX RAINESCAPE SYSTEM IS MORE EASILY INSTALLED WITH TWO PEOPLE WORKING TOGETHER

SNOW BUILD-UP

Snow will sit on decking until it melts and then it will run through the system.

LEAVES

If leaves and debris accumulate in the troughs, a standard washing or a hard rain will clean out the system.

IF THE TAPE WILL NOT STICK

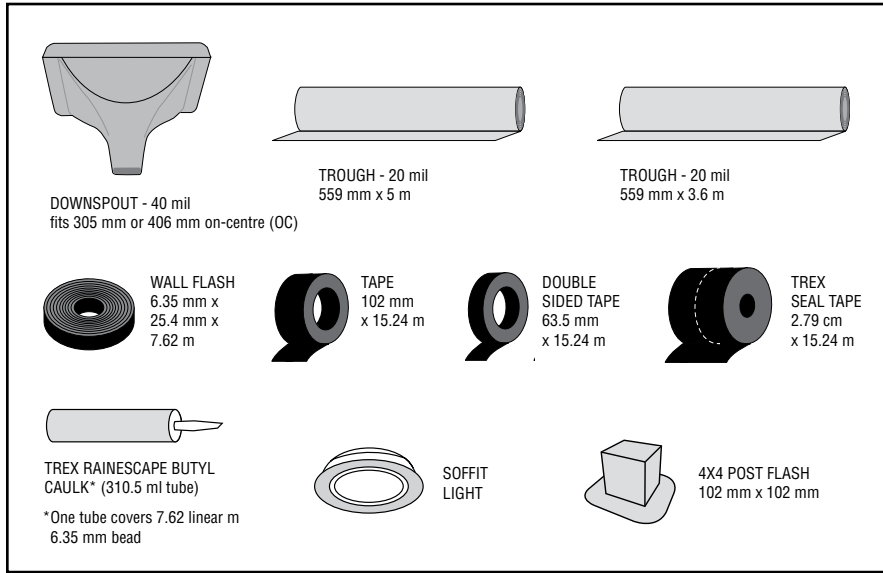
In areas, such as the perimeter, brick or stucco, where the Trex RainEscape tape will not stick, use the Trex RainEscape butyl caulk to adhere the material.

CAUTION

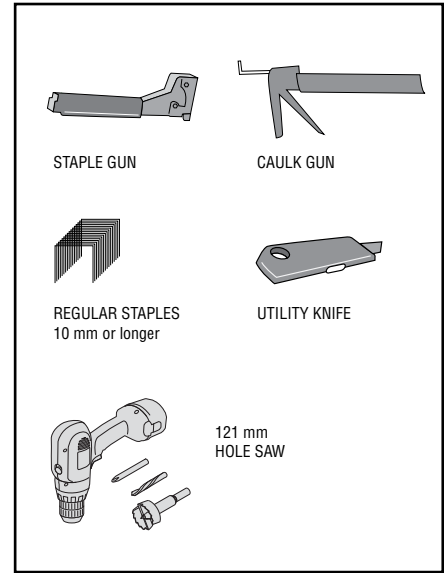
Do not splice trough material. If the trough material is spliced it must be replaced.

To estimate your materials needs or for questions, visit our website trexrainscape.com

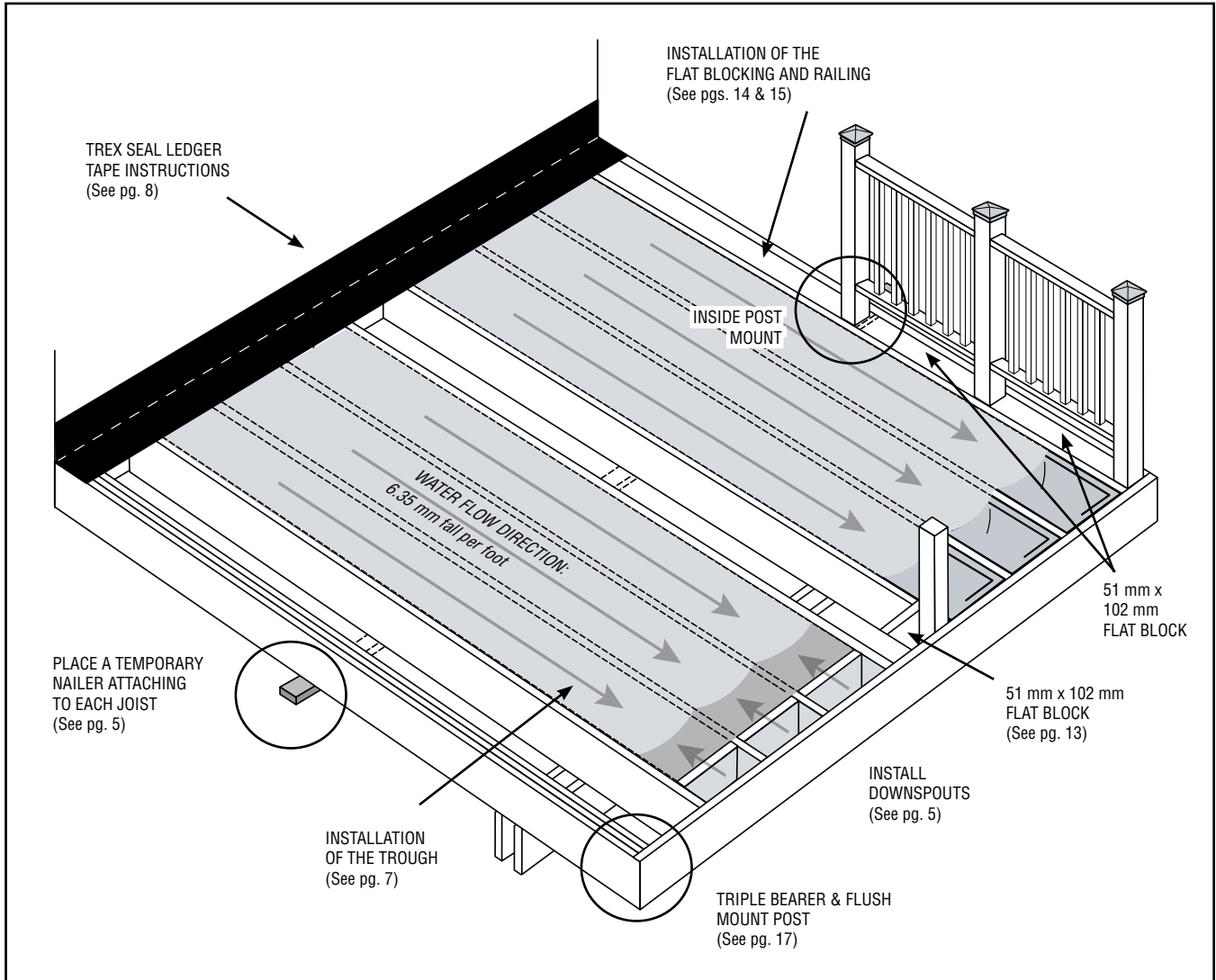
PARTS



TOOLS

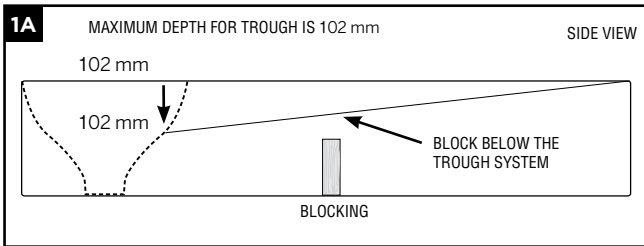
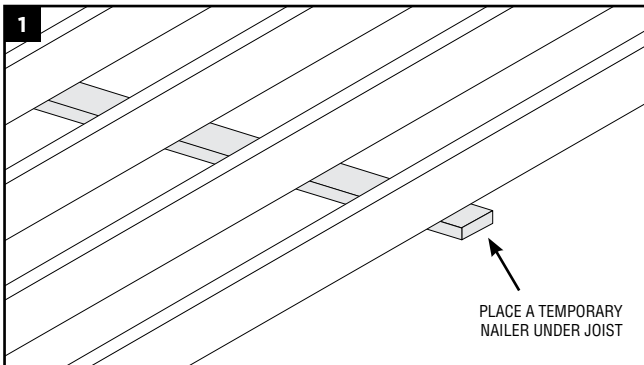


FRAMING DETAIL



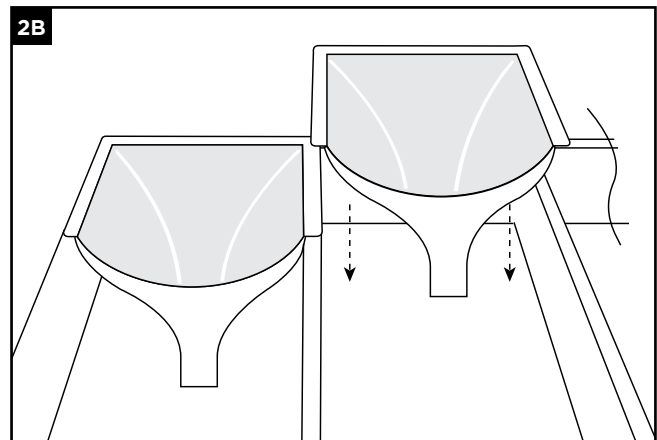
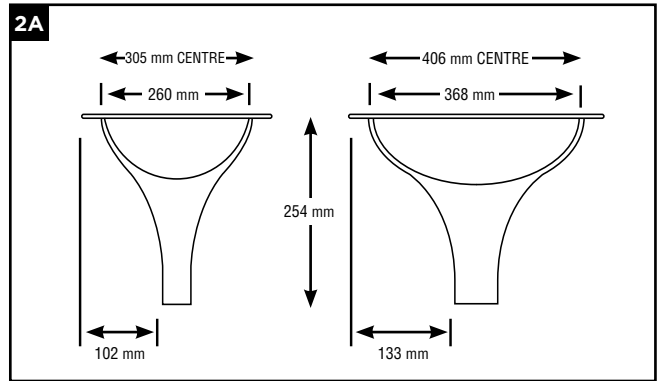
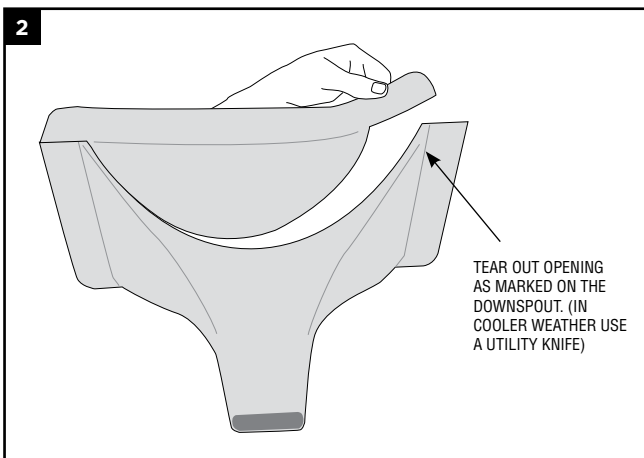
1. PREPARATION

- »Read all instructions completely before beginning.
- »Place midspan nailer (1) or vertical blocking (1A) to keep joist straight and prevent rolling or blocking should be installed and left to keep joists from moving if no soffit is to be installed.
- »Midspan nailer can be removed when soffit or ceiling is installed.

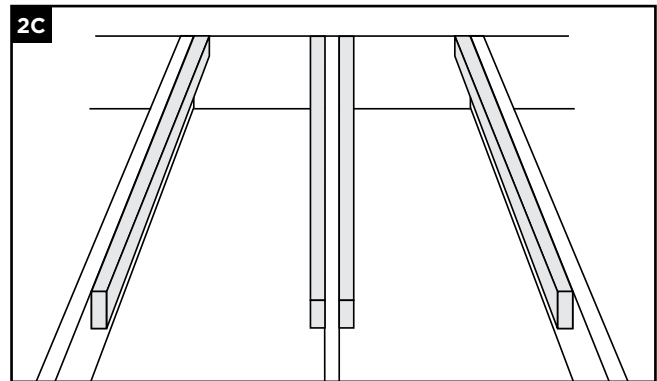


2. INSTALLING THE TREX RAINESCAPE DOWNSPOUT

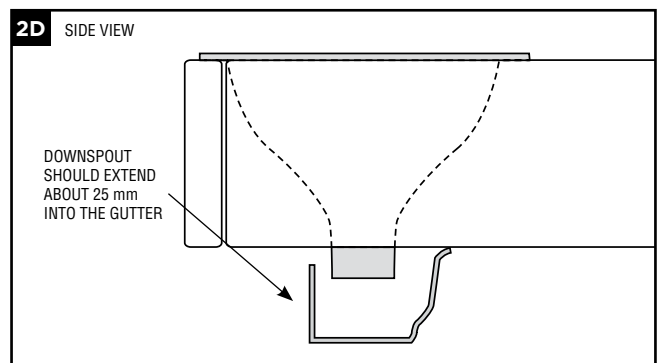
- »Cut downspouts along one 12" (305 mm) or 16" (406 mm) side of score mark based on joist spacing.
- »Install all downspouts along rim joist and/or ledger board. Cut-out side should face open deck bay.



- »Block out downspout 25 mm on both sides for 450 mm joist centres. (2C)



- »Downspout should extend 25 mm into gutter: cut or extend as necessary. (2D)



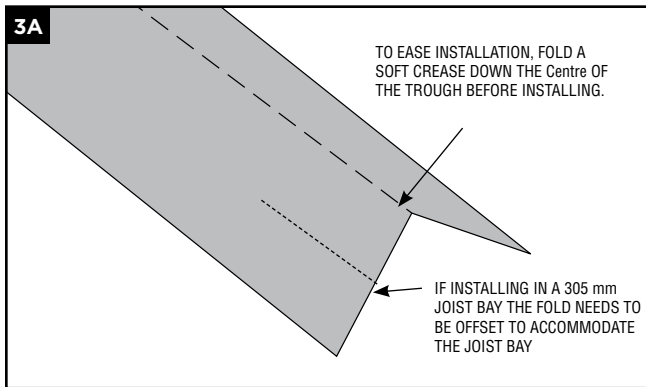
3. INSTALLING THE TREX RAINESCAPE TROUGHS



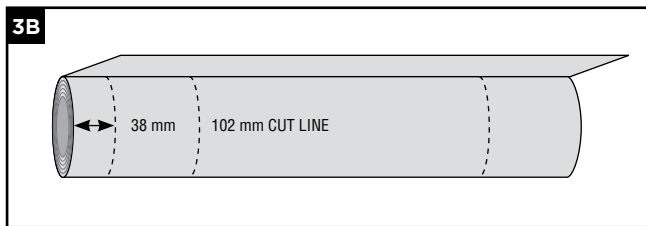
SCAN FOR VIDEO

NOTE: If installing when temperatures fluctuate drastically, be sure to acclimate trough material before installing. Especially if you are using black. Here are two ways.

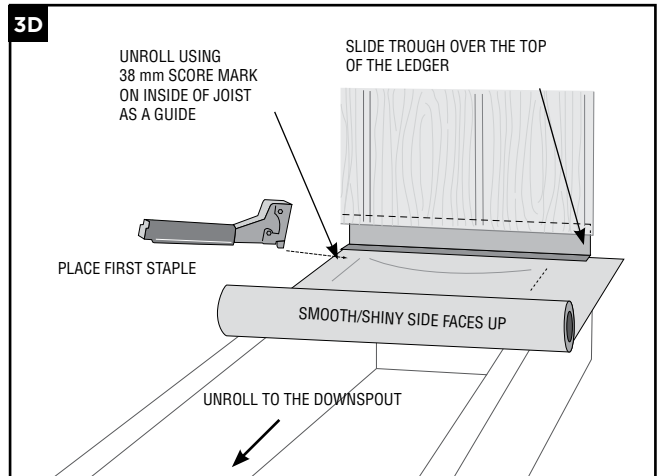
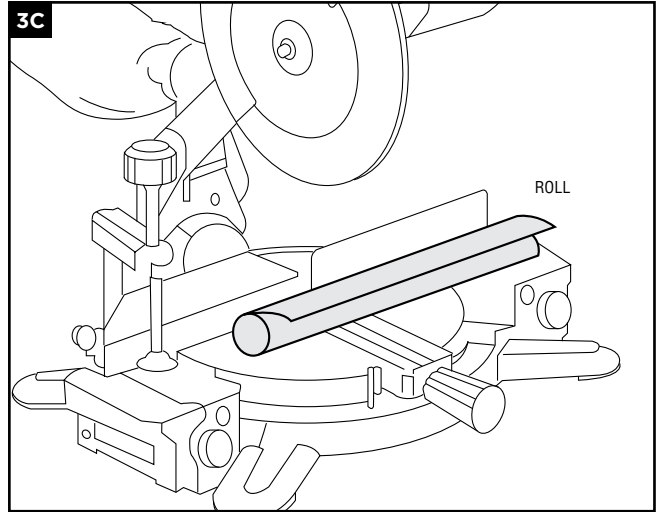
- »Fold a soft crease down the centre of the trough. Be sure to account for the offset if installing for a 305 mm joist bay. (3A)
- »Unroll trough material, giving plastic time to relax and acclimate to outdoor temperatures.



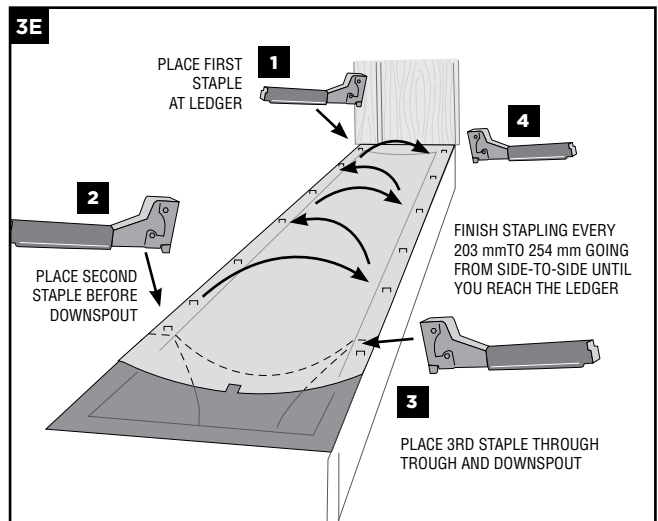
»When working with the Trex RainEscape trough material, ensure that the smooth/shiny side always faces up.



»If installing the system on 305 mm o.c. joist, cut the 38 mm score mark side back 102 mm. Then align the left edge of the trough with the outside of the joist. (3B)

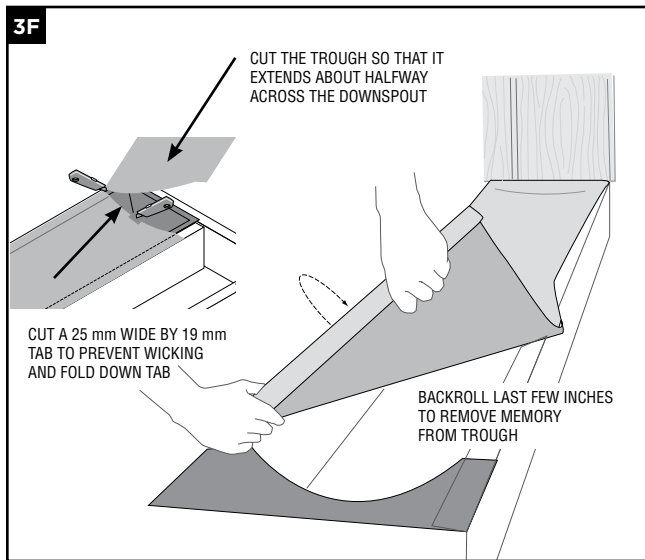


- »Apply a bead of caulk along the ledger board.
- »Hold roll so 38 mm score mark is on the left. (3D)
- »Line up the 38 mm score with the left joist.
- »Place first staple at ledger board on 38 mm score mark side. (3E)



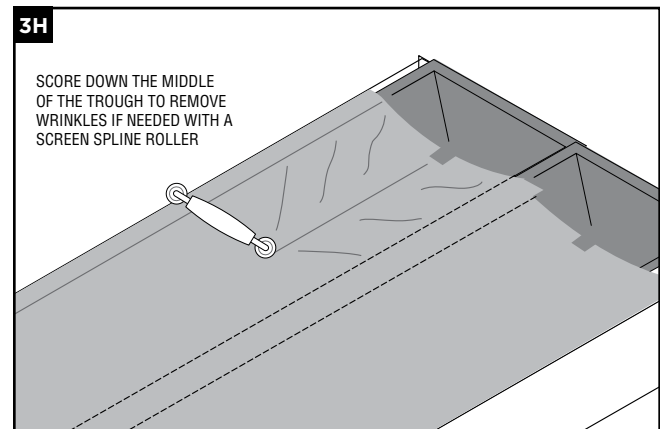
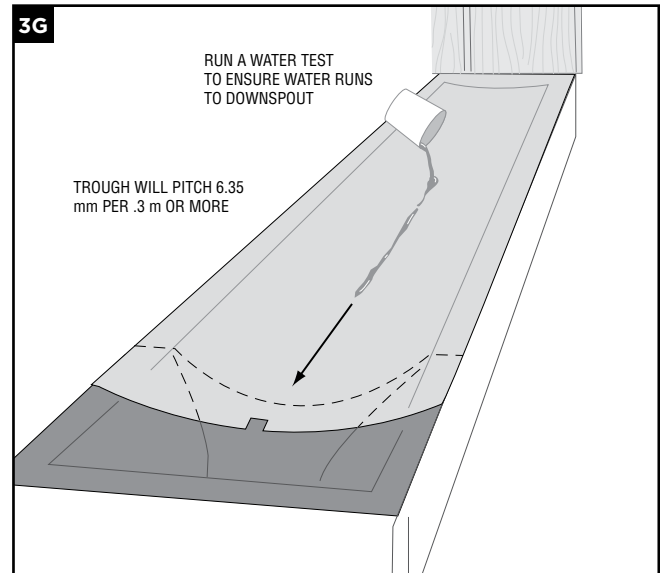
- »Unroll trough to downspout using 38 mm score mark on inside joist as guide.
- »Cut the trough so that it extends about halfway across the downspout.
- »To remove memory from sheet, backroll the last few inches of the trough. (3F)

NOTE: If run is longer than 3.65 m, put down second staple halfway down left joist.



- »Pull trough tight to ensure memory is released, and place second staple on left joist through downspout. (3E)
- »Form a trough into downspout while lining up the edge of the score mark with inside of joist. Place third staple through trough and downspout on right joist. (3E)
- »Pull corner at ledger and right joist tight keeping entire length of trough smooth and wrinkle-free so as not to impede water flow. (3E)
- »Place fourth staple on right joist. (3E)
- »Continue stapling every 152 mm to 203 mm from downspout to ledger on both joists to secure. (3E)
- »Cut a 25 mm wide by 19 mm tab at centre edge of trough (fold tab down) to prevent wicking. (3F)
- » **Trough material must cover all exposed timber on surface of deck**

- »To test for correct slope, pour a cup of water on trough at ledger board ensuring water runs to the downspout. (3G)
- »Follow previous steps for the remaining troughs.



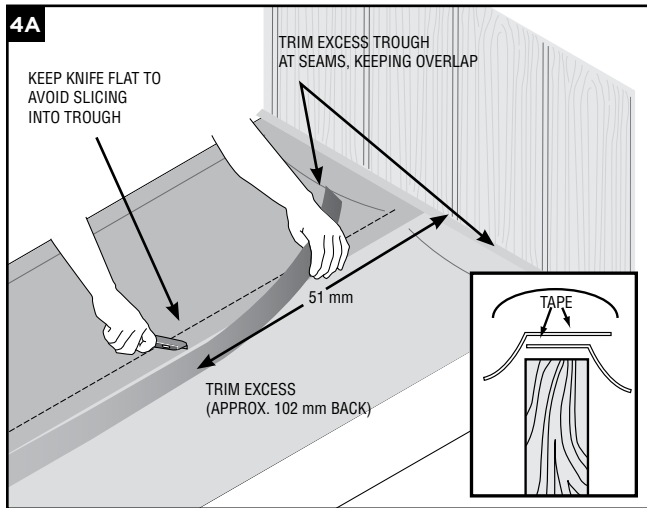
NOTE: In extreme temperature swings, trough material will expand and contract. Some wrinkling is acceptable but should not impede the flow of water.

4. TAPE ALL SEAMS

»Trim excess trough at seams, keeping overlap so tape will cover the top of the joist and seams. (4A)

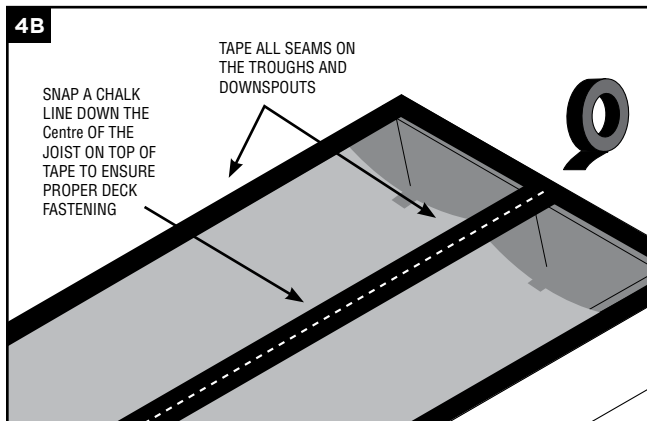


SCAN FOR VIDEO



»Using Trex RainEscape tape, tape all seams, joints and perimeter making sure the flashing is taped to the trough. (4B)

NOTE: *Tape works off of compression and must be pinched between decking and joist to make a tight seal.*



NOTE: *The butyl tape should never be put directly on timber. The trough material or a downspout must be below it.*

5. FOUR TYPES OF FLASHING:

Install Trex Seal Flashing – Recommended

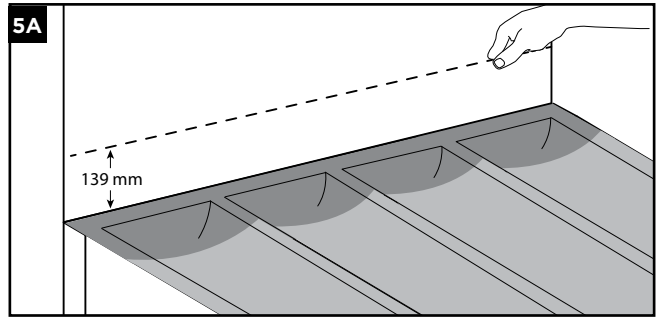


SCAN FOR VIDEO

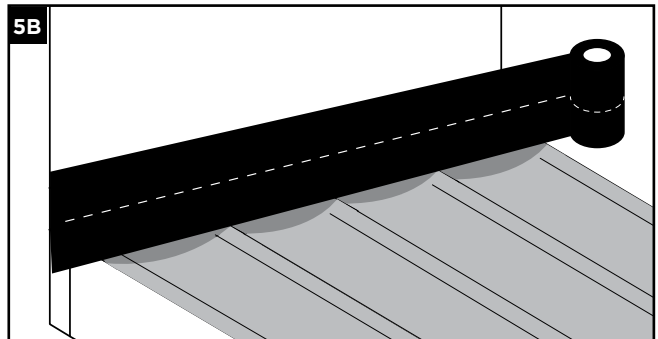
»Apply a bead of caulk along the ledger board.

»Install the Trex RainEscape system.

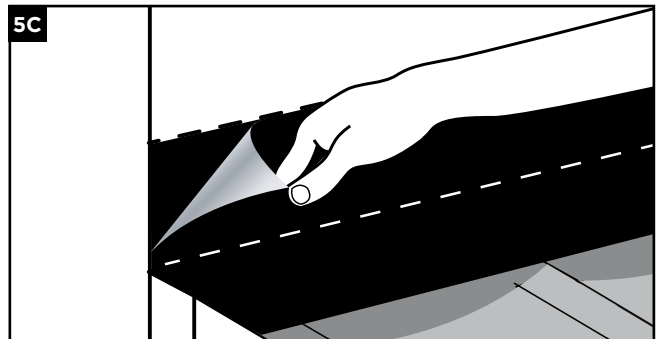
»Mark a 139 mm line above the ledger board under the house wrap. (5A)



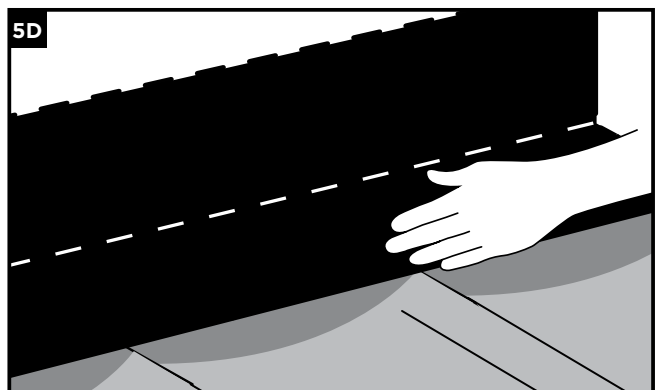
»Unroll the Trex Seal Ledger Tape and cut to length. (5B)



»Fold the Trex Seal Ledger Tape in half. Remove one of the release liners. Press to seal against the vertical surface at the 139 mm line. (5C)



»Once the vertical surface is attached, remove the second release liner, unfold the Trex Seal Ledger Tape and press firmly against the Trex RainEscape system. (5D)

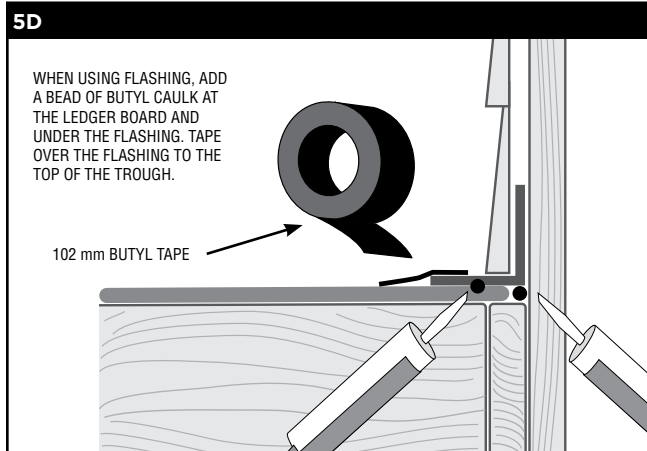


Metal Flashing

»Add a bead of butyl caulk at the ledger board and between the flashing and trough. Tape over the flashing to the top of the trough using the 102 mm RainEscape butyl tape. (5D)

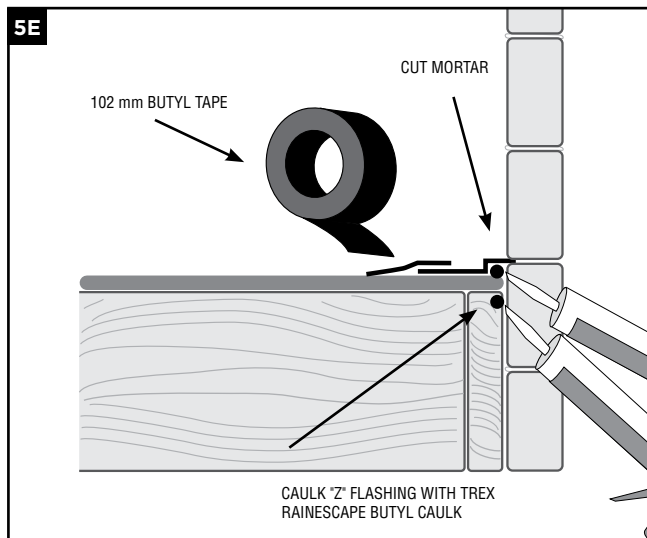


SCAN FOR VIDEO



Flashing with Brick or Stucco

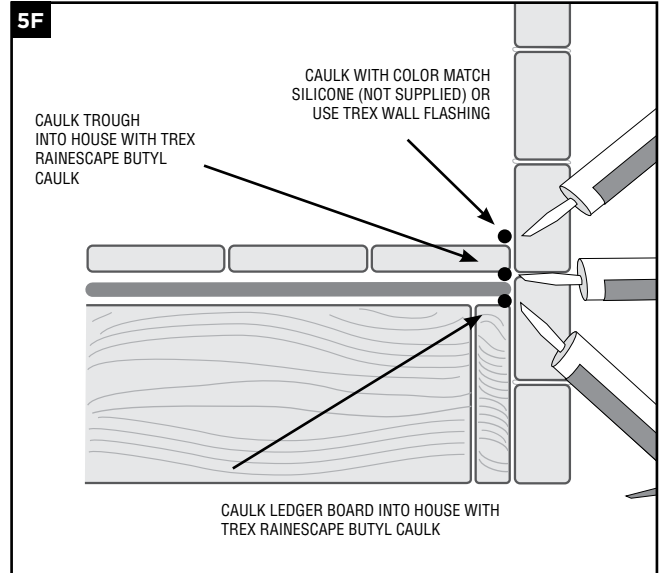
»Cut into mortar or cement joint. Caulk "Z" flashing into mortar. Install trough under flashing as shown in (5E). Tape over flashing to the top of the trough using the 102 mm RainEscape butyl tape.



No Flashing with Brick or Stucco

»If installing against brick or stucco and you DO NOT need a 100% water tight seal, use the caulking method. (5F)

Trex does not endorse installing the system without flashing. If installation with flashing is not possible, refer to your local building code official for an exception.



6. WALL FLASHING FOAM STRIP

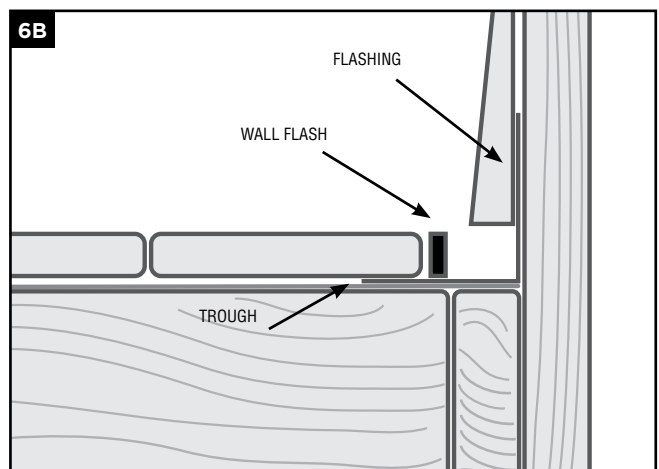
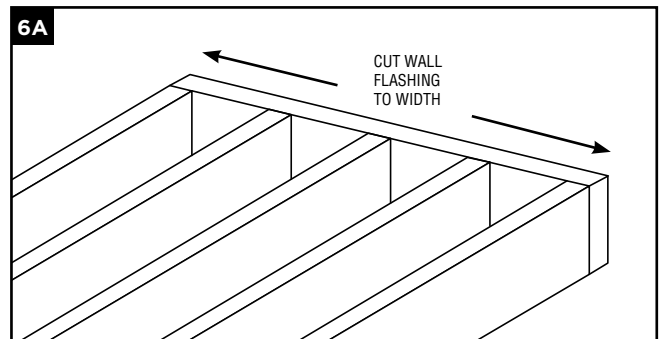
»Cut a piece of the self-adhesive wall flash the width of the deck. (6A)

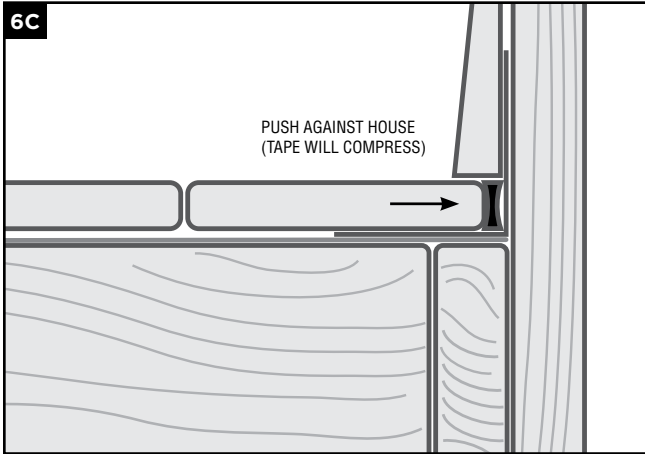
»Peel release paper from the wall flashing and adhere to edge of decking. (6B)

»Push first deck board up against house to compress wall flash. Then secure decking. (6C)



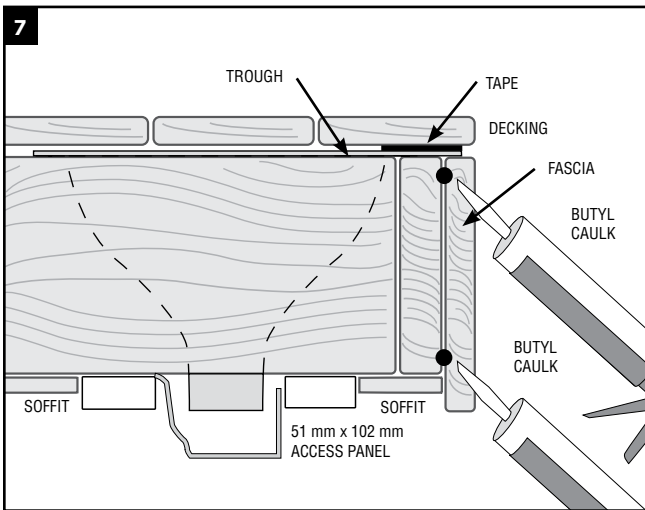
SCAN FOR VIDEO





7. INSTALLATION OF FASCIA

»Deck board go over fascia. (7)

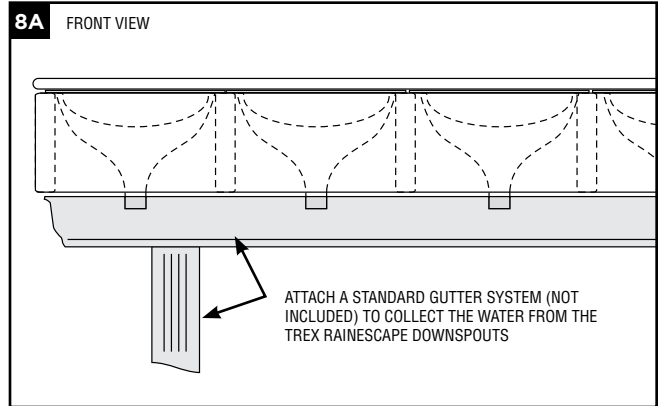


8. INSTALLING A GUTTER SYSTEM

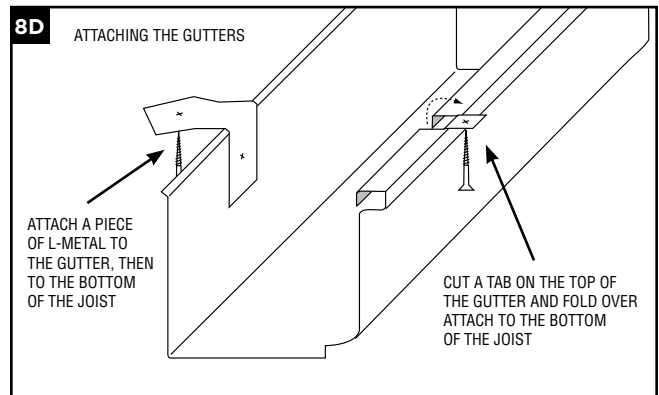
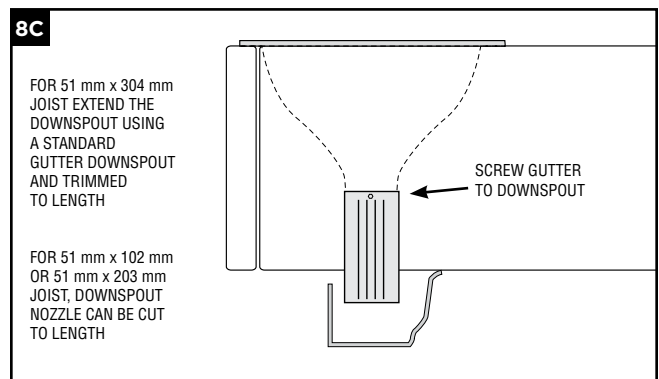
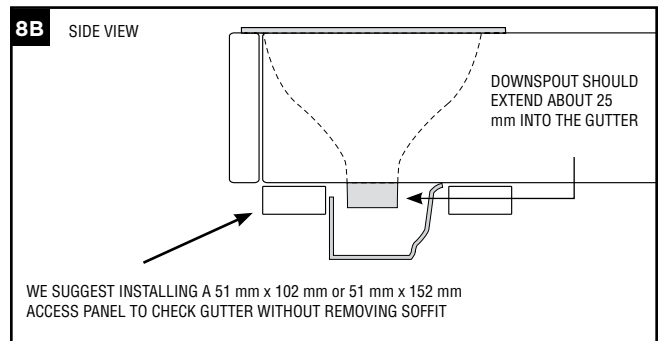
(not included)

»Before installing a gutter system perform a water test to clean out the system and check for any leaks.

»Attach a standard gutter system to collect the water from the Trex RainEscape downspouts.



NOTE: Installing a clean-out trim piece will allow access to gutter line after installation.





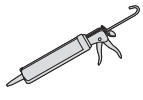
SCAN FOR VIDEO

9. INSTALLING TREX RAINESCAPE SOFFIT LIGHTS

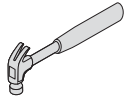
REQUIRED FOR INSTALLATION

Purchase of TREX LED Transformer, TREX 3.048 m Lighting Extension Wire, and TREX Transformer 6-way Splitter for operation. All sold separately.

TOOLS NEEDED



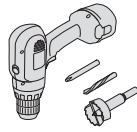
CAULK GUN



HAMMER

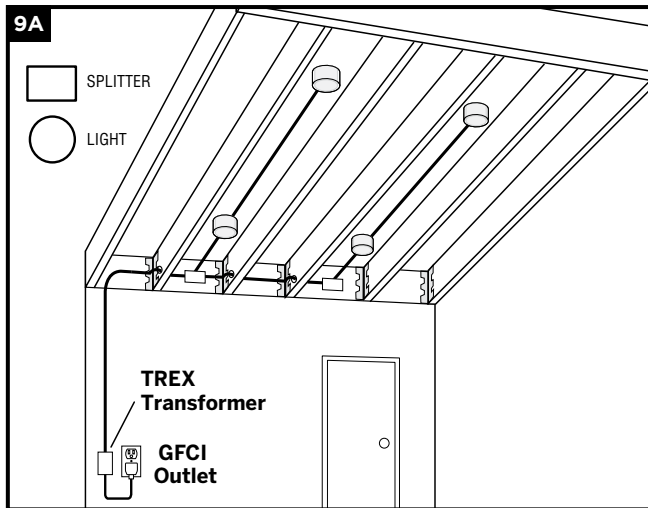


JIG SAW



120 mm HOLE SAW

LIGHTING LAYOUT



»Space lights every 1.82 m or to desired span.

GENERAL INFORMATION

- »ALWAYS consult local codes before beginning a project.
- »USE TREX TRANSFORMER ONLY.
Use of any other transformer voids warranty.
- »Lights must be installed in a dry area.
- »Allow light to cool before removing.
- »The light requires an unobstructed cooling zone around and above the light. Under no circumstance is this 51 mm zone to be reduced either through insulation or construction materials.

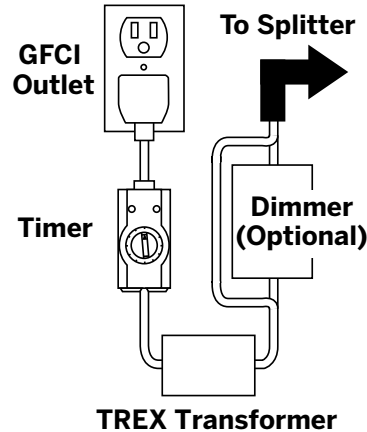
TRANSFORMER CAPACITY BY TYPE

Type of Light	8.3A Transformer (83 DL TRANSFORMER)	2.5A Transformer (25 DL TRANSFORMER)
Soffit Light	23	7

Above listing is for maximum number of each individual light. If mixing and matching lighting, contact Trex to determine if more than one transformer is required.

PLANNING

NOTE: When designing your deck, plan locations of lights, power supply, timer, and dimmer. These should be accessible for service. Installing a GFCI outlet is REQUIRED to help prevent damage to lighting from electrical surges. (9A)



1. The dimmer remote will work in a 9.1 m radius of the unit.
2. Dimmer should be installed in a dry location.
3. Timer must be installed vertically with receptacle facing downwards. Timer must be at least .30 m from ground level when installed as per federal safety code height regulations. Timer must be in view of the sun to use the dusk/dawn feature.

NOTE: For installations where the transformer is hardwired to an AC switch, please consult a licensed electrician.

INSTALLING WIRING

NOTE: It is recommended to install wiring and splitters before decking and railing is installed.

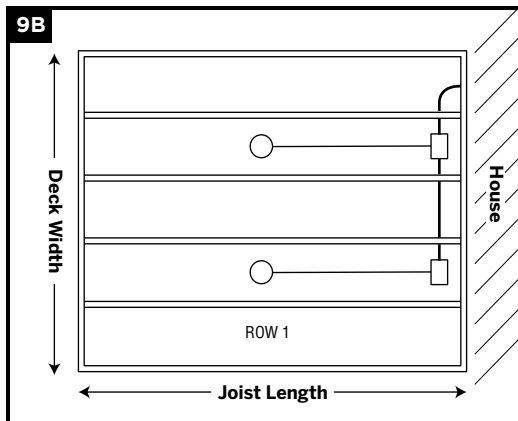
- »Use male-to-male connection wire (lengths vary) that will connect to each required splitter.
1. Wiring must be run through deck joist at desired location. DO NOT run wires between deck boards and joists. Staple to frame with cable staples at least 0.6 cm wide. DO NOT crush wire insulation with staple.

MEASURING

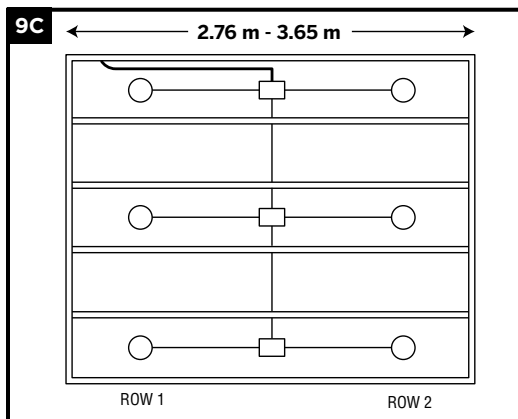
1. Measure joist length and divide by 5.
2. Measure deck width and divide by 5.
3. Take the answer from #1 and multiply by the answer of #2 = the total number of lights. (9B)

NOTE: It is better to over light your area. A dimmer switch can be added later to soften the lighting.

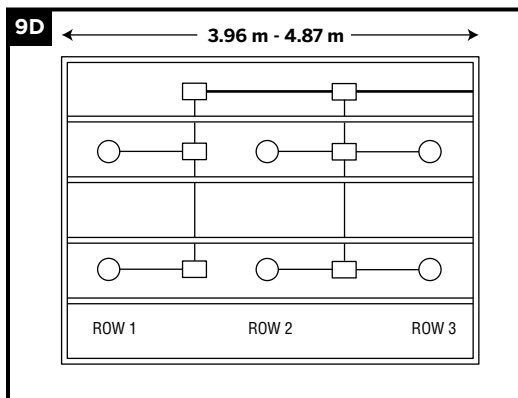
EXAMPLE OF A 1 ROW LIGHT INSTALLATION FOR JOISTS LESS THAN 8' (2.4 m)



EXAMPLE OF A 2 ROW LIGHT INSTALLATION FOR JOISTS BETWEEN 9' AND 12' (2.76 - 3.65 m)

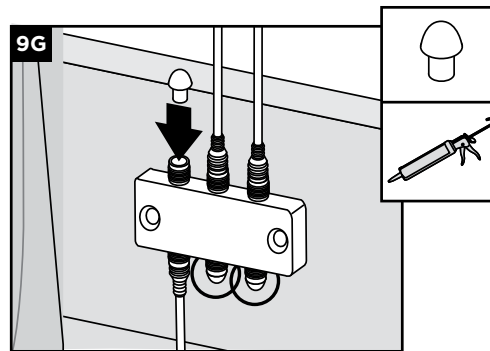
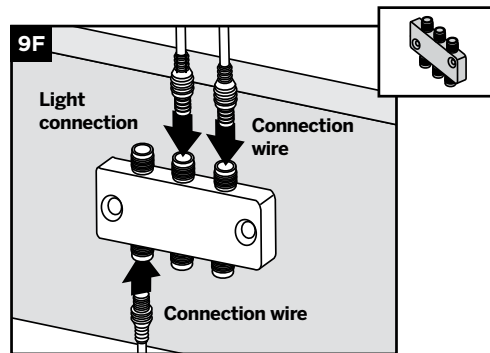
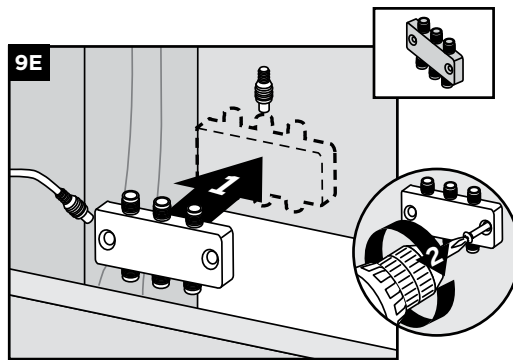


EXAMPLE OF A 3 ROW LIGHT INSTALLATION FOR JOISTS BETWEEN 13' AND 16' (3.96 - 4.87 m)



MAKING CONNECTIONS

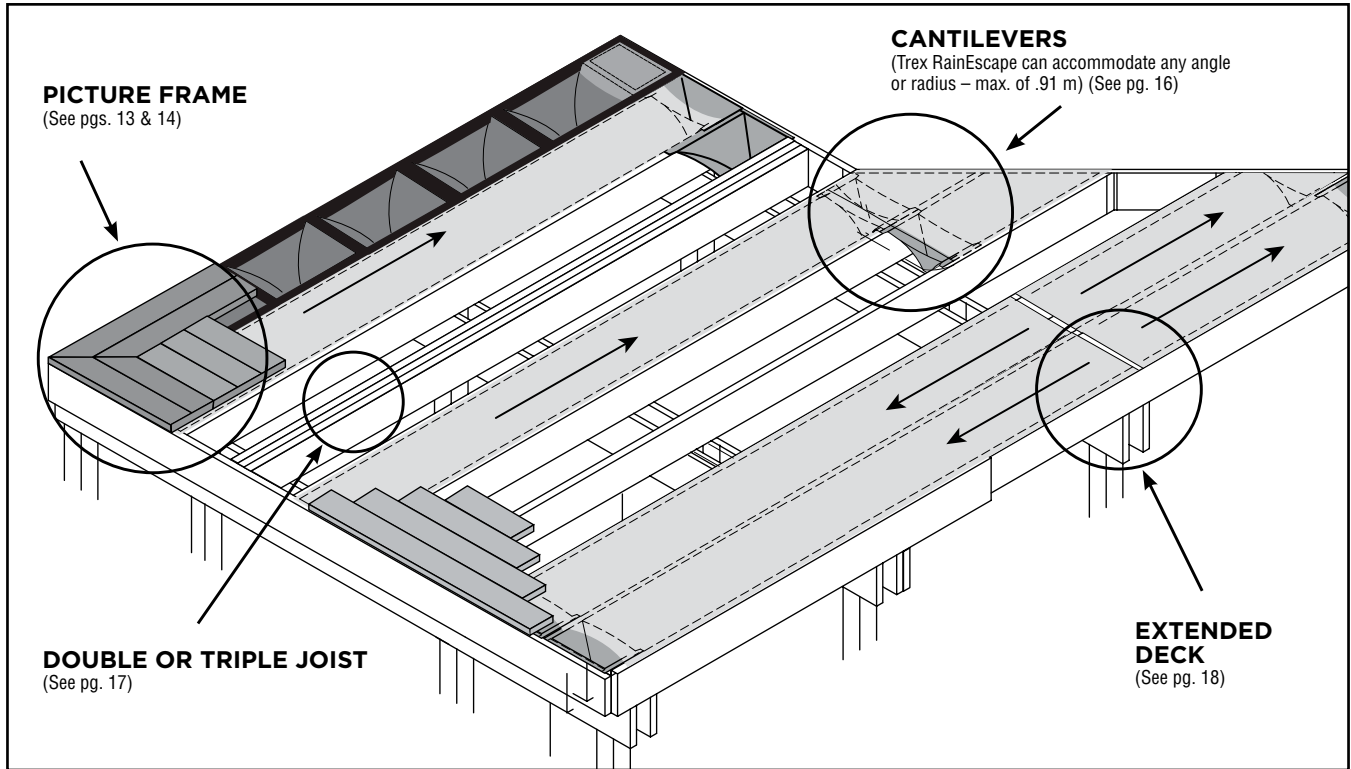
1. Install splitters to inside of framing using hardware provided. Install a splitter at every junction where you will run a row of lights. (9E)
2. Run wire through joist and roll up 0.30 m - 0.60 m extra wire in area the light will be installed. Staple to the side of the joist (making sure not to staple through the wire).
3. Cap off all unused female connections on splitters using caps provided or weather resistant silicone. (9G)



INSTALLING THE LIGHTS

- » Install ceiling of your choice. Make sure to remember where wire end is located.
- » Mark where the light is to be installed and use 120 mm hole saw to bore hole, (a jig saw can be used instead of a hole saw).
- » Reach up through the hole and pull out wire end and attach to light.
- » Fold orange springs up and push light into opening. The springs will fold down and hold light in place.
- » If using directional feature, spin light so it shines on desired area.

MODIFICATIONS AND SPECIAL CASES



10A. FLAT BLOCKING, SINGLE PICTURE FRAME/ BREAKER BOARD

- »Place a horizontal nailer flush with the top of the joist from the ledger board to the rim joist.
- »Caulk between the blocking and the joists seam.
- »Cover nailer with trough, making sure to overlap adjoining downspout and trough.
- »Cover all seams with 102 mm butyl tape and anywhere a screw can penetrate.

NOTE: Do not use larger than 51 mm x 152 mm flat blocking.



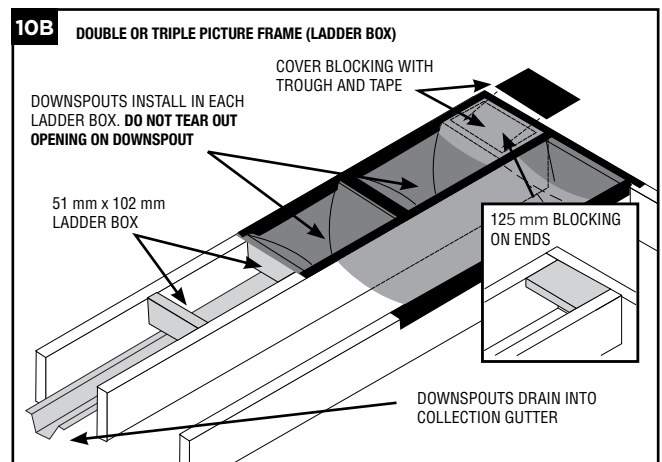
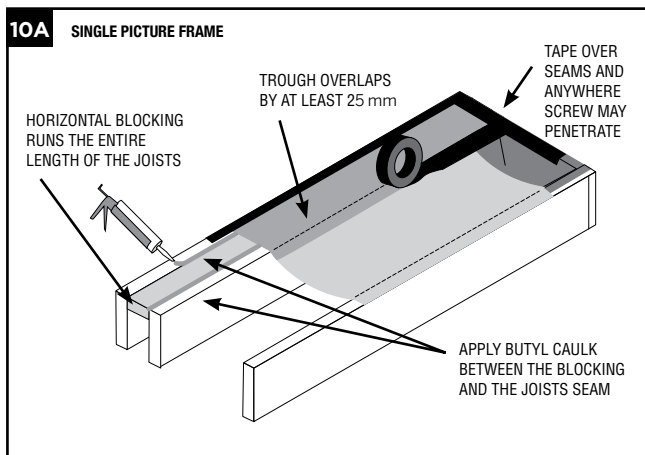
SCAN FOR VIDEO

10B. DOUBLE OR TRIPLE PICTURE FRAME: LADDER BOX

- »Place a 279 mm blocking horizontally on the ends of the bay to support 45° decking.
- »Install a 51 mm x 102 mm ladder box to support downspouts.
- »Trim off all downspout nozzles to accommodate gutter.
- »Place downspouts into ladder box (DO NOT REMOVE SIDE OPENINGS).
- »Install a piece of trough material over the 279 mm blocking, making sure to overlap downspouts and the adjoining trough.
- »Tape over blocking, joints and seams making sure that all screw penetrations go through trough and tape.



SCAN FOR VIDEO



10C. DOUBLE OR TRIPLE PICTURE FRAME: 51 X 102 mm SHIMS



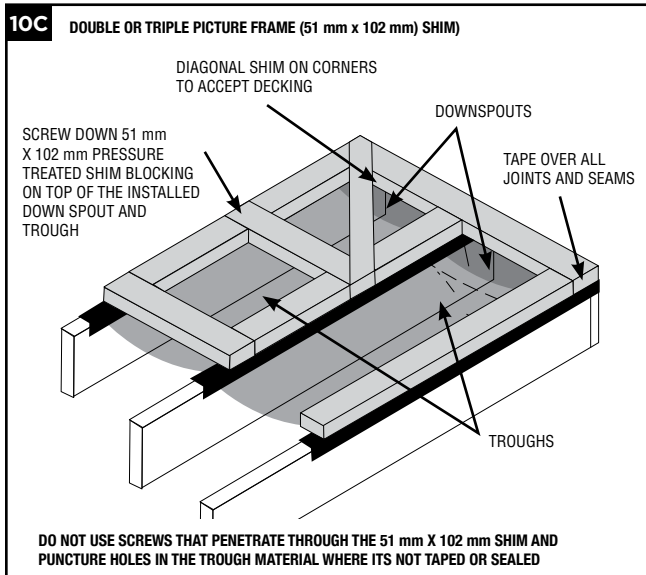
SCAN FOR VIDEO

»Install the Trex RainEscape system as per previous instructions. (pp. 5-10)

»Tape all joints and seams.

»Screw down 51 mm x 102 mm pressure-treated shim blocking on top of the installed the RainEscape system over the joists and wherever blocking is needed to support deck boards.

»Attach decking. (When attaching decking use fasteners that do not penetrate all the way through the 51 mm x 102 mm shim).

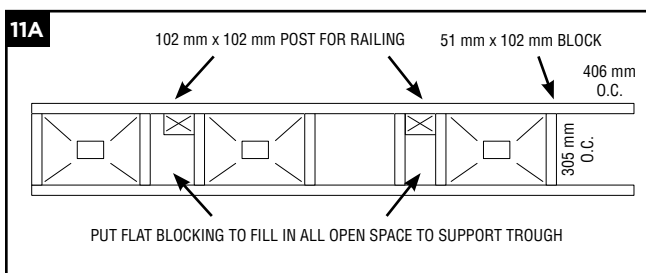


11. INSTALLING RAILING USING THE LADDER BOX METHOD

If installing an inset post with double picture frame using ladder box method:

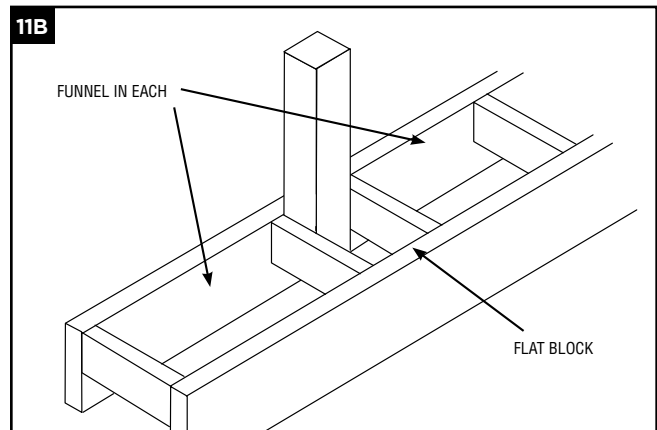
»Decide where each post will need to be attached

»Use vertical and flat blocking at desired location as shown. (11A)



»Cover all flat blocking with trough material and caulk all seams.

»Caulk around all flat blocking. Cover with trough material and tape all seams.



12. USING THE TREX RAINESCAPE 51 mm X 51 mm POST FLASH



SCAN FOR VIDEO

»Install the trough.

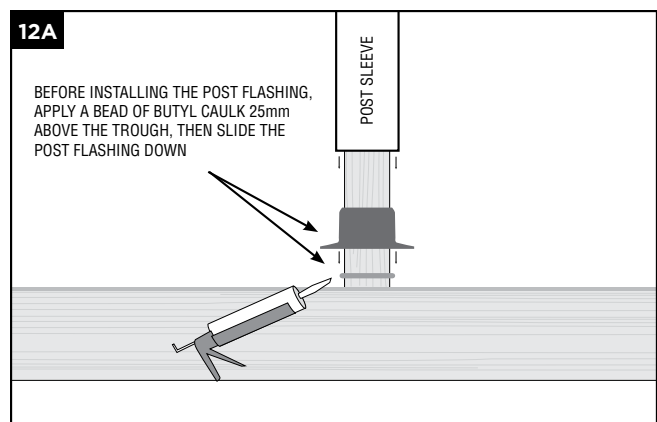
»Run a bead of butyl caulk around the post, no more than 25 mm above the base of the post. (12A)

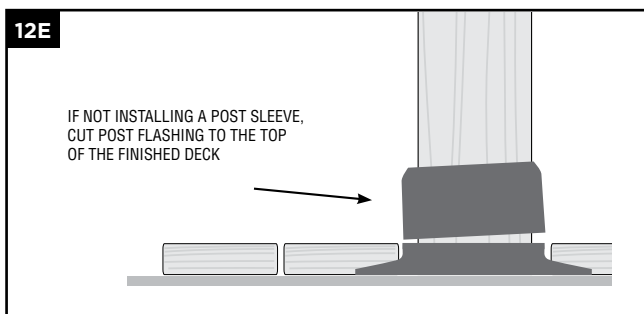
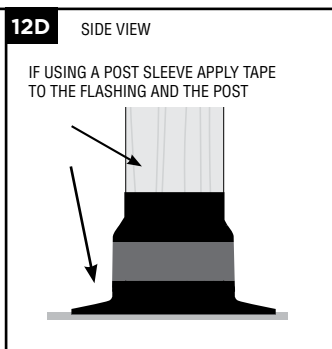
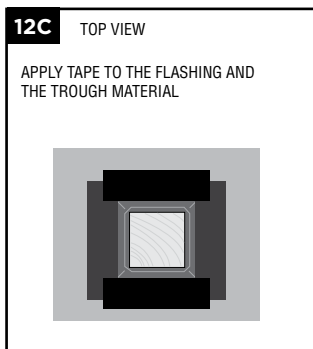
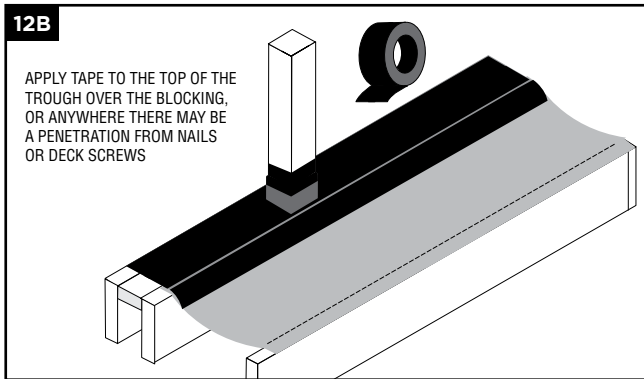
»Slide the post flash down over the bead of butyl caulk, and tape the flanges to the top of the trough and then tape the top of the post flash to the 102 mm x 102 mm post.

»After decking is installed, attach the post sleeve.

»If no post sleeve is used for the final deck, trim the post flash to the height of the finished deck. (12E)

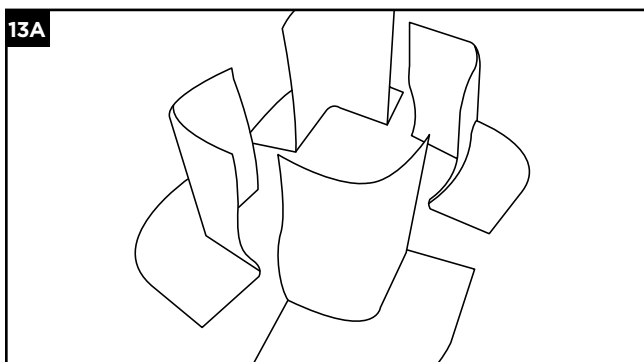
»NOTE: Post flash only available for 51 mm x 51 mm posts. See section 13 for other sizes and obstructions.



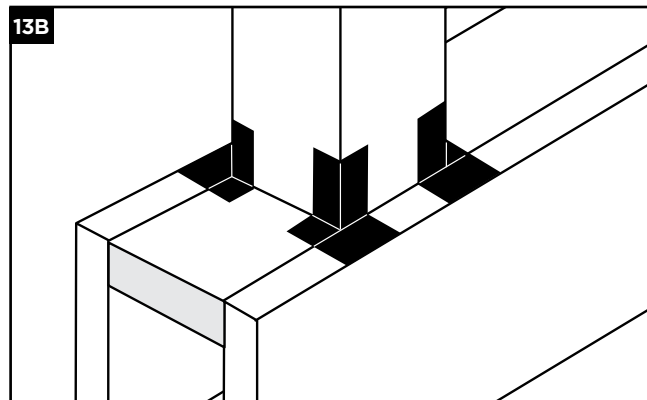


13A. RAILING POSTS, 152 mm X 152 mm POSTS & OBSTRUCTIONS WHEN USING 102 mm X 102 mm POST FLASH

- »To install a post or obstruction on the inside rim joist, first mark the edges of the post on the trough and draw two lines, corner to corner. Cut along the diagonal lines. (13A)
- »Pull up tabs and install the post.
- »Staple remaining trough to cover flat block. (10A)
- »Cut the post flash into four even sections. (13A)



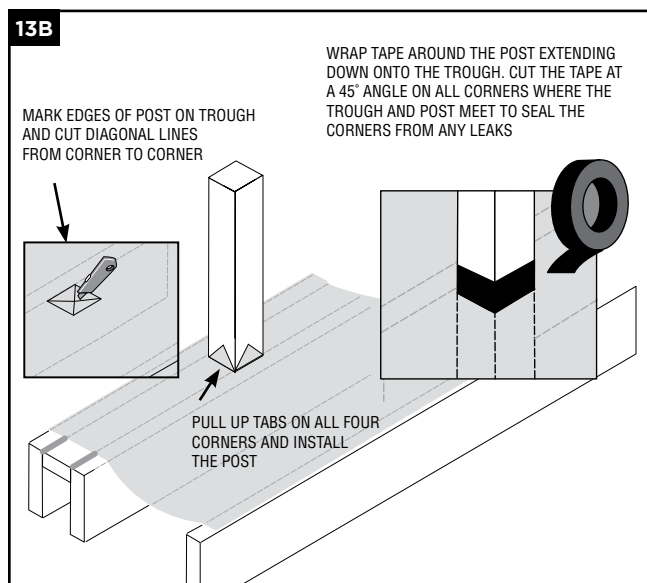
- »Attach one piece to each corner of the post. (13B)
- »Tape starting at bottom of the trough, up the post overlapping layers to assure a water tight seal working up around the post extending down onto the trough. (13B)



13B. RAILING POSTS, 152 mm X 152 mm POSTS & OBSTRUCTIONS WHEN *NOT* USING 102 mm X 102 mm POST FLASH



- »To install a post or obstruction on the inside rim joist, first mark the edges of the post on the trough and draw two lines, corner to corner. Cut along the diagonal lines.
- »Pull up tabs and install the post.
- »Staple all remaining trough over flat blocking (13B).
- »Tape starting at bottom of the trough, up the post overlapping layers to assure a water tight seal working up around the post extending down onto the trough. Cut the tape at a 45° angle on all corners. Place a small piece of tape over the corners where the trough and post meet, to seal the corners from any leaks. (13B)

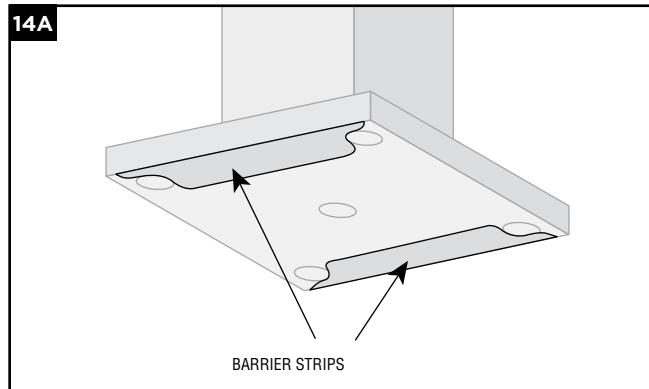


14. SURFACE POST MOUNT TO SOLID BEARER OR FLAT BLOCKING

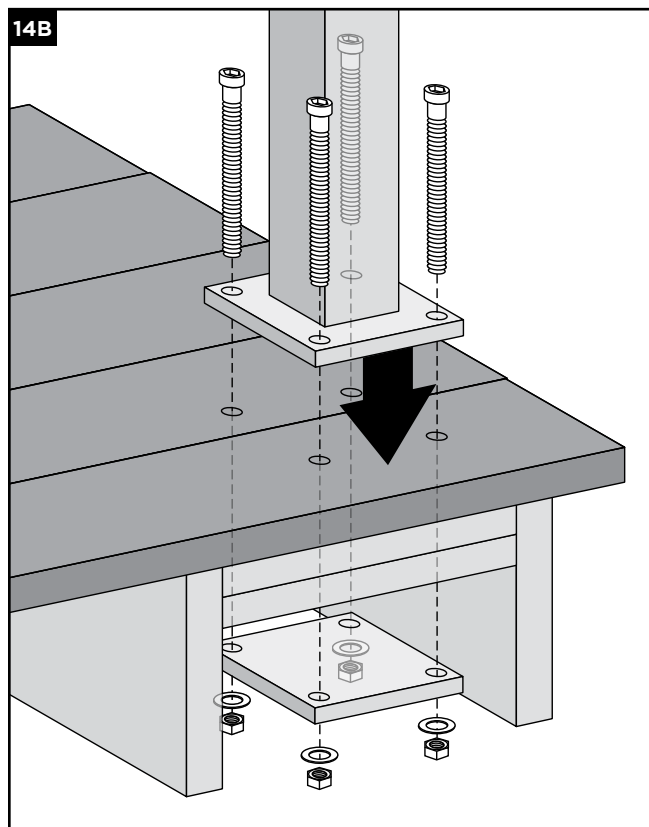
»When using surface mount post, pre-drill holes then use a small amount of butyl caulk on screw threads to seal holes.

»DO NOT use too much butyl caulk or it will overflow on deck and post mount.

NOTE: Please refer to *Trex.com* for detailed post mount instructions.



»Insert the (2) stainless steel barrier strips under the mounting bolt holes. Barrier strips are required only if attaching post directly to pressure treated framing.



»Attach posts using four 1 cm x 15.2 cm hex cap bolts, washers, and nuts, along with aluminum back plate on underside of blocking.

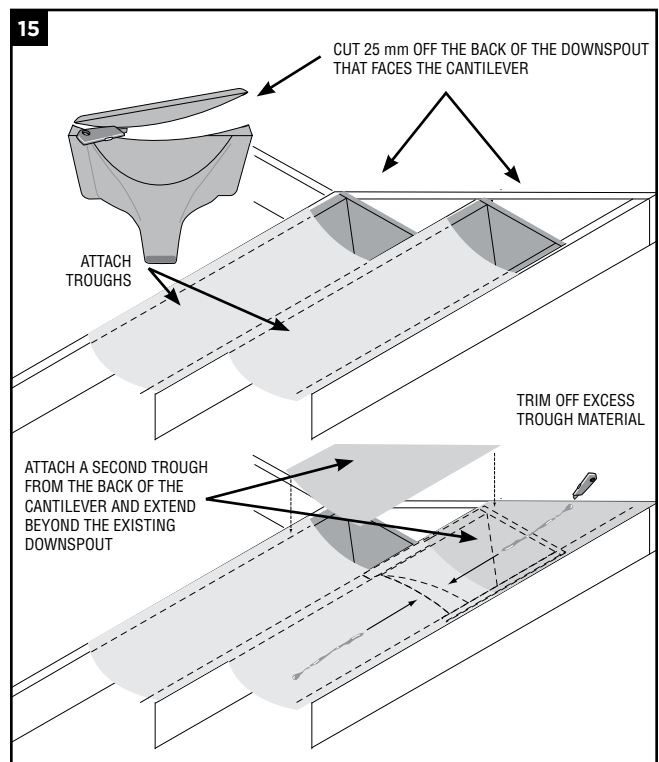
15. CANTILEVERED DOWNSPOUT

»Tear off the cut-out on the front panel of the downspout.

»On the back side of the downspout draw a line from corner to corner extending down 25 mm. Cut the downspout following the line. (Some downspouts may have this line pre-indicated).

»Staple the trough material from the end of the cantilever over the existing trough. Repeat all the steps as necessary for trough installation.

»Tape over all joists and seams.

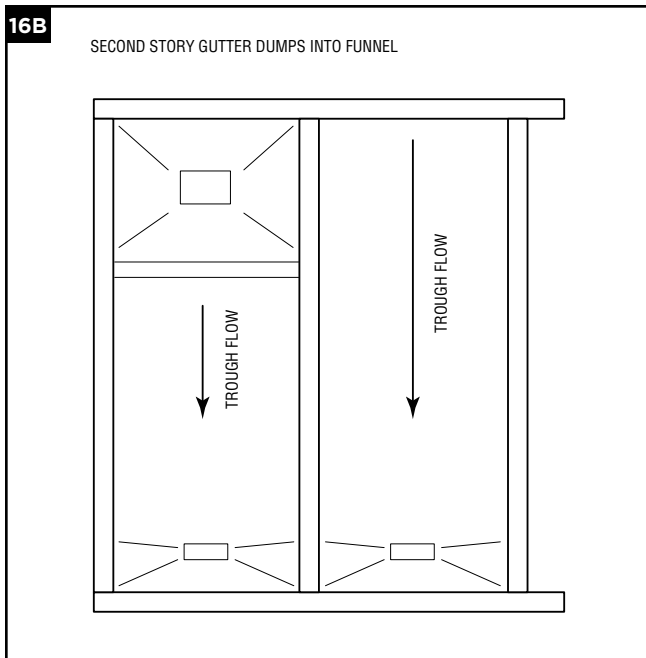
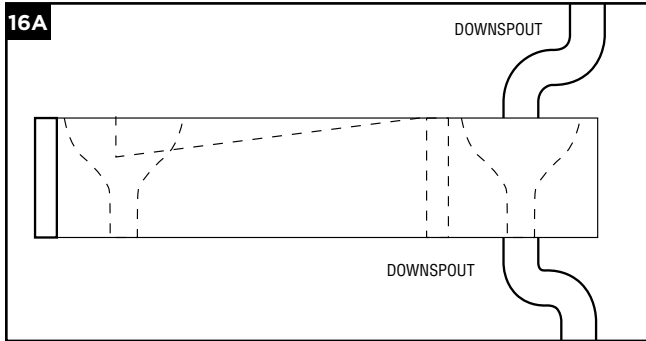


16. DRAINING SECOND STORY GUTTER ON DECK

»Block out a 305 mm x 406 mm o.c. rectangle where the second story gutter discharges onto the deck. (16B)



SCAN FOR VIDEO



»Place downspout in rectangle (do not remove openings).

»Tape downspout in place.

17. INSTALLING A TROUGH OVER A DOUBLE OR TRIPLE JOIST/BEARER



SCAN FOR VIDEO

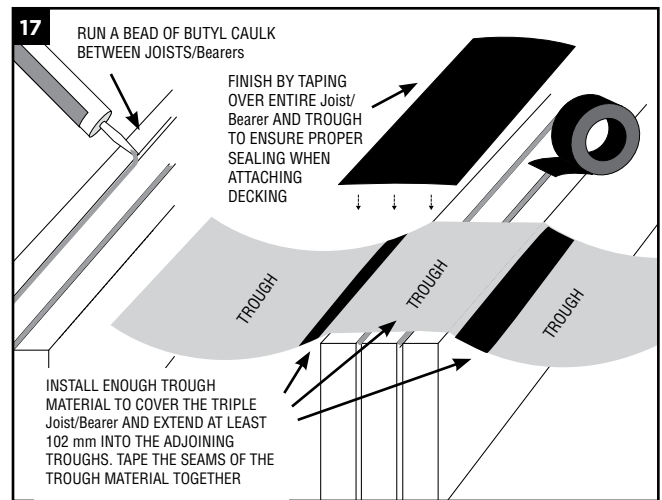
»Caulk between each Joist/Bearer to ensure a water tight seal between the joists/bearers.

»Cover the top of the Joist/Bearer with the trough material that overlaps into both adjacent bays. Tape seams and trough material where screw penetration may occur.

»Tape over the top of the triple Joist/Bearer and trough material that sits on top of the Joist/Bearer.

NOTE: All timber must be covered with trough material and taped wherever decking will be screwed.

If installing a post in this location, consult with the local building code official prior to installation to ensure all code and safety requirements are met.



18. MODIFIED DOWNSPOUTS



SCAN FOR VIDEO

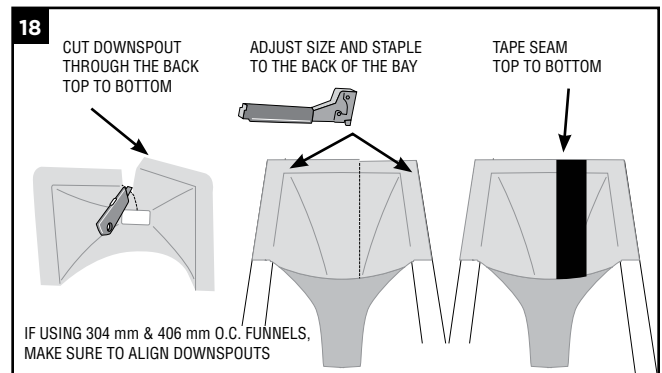
»For odd joist spacing you must modify the downspout.

»Tear or cut out the front opening.

»Cut through the back of the downspout halfway down, so that downspout fits bay opening.

»Adjust the downspout to fit in the bay and staple to secure.

»Finish by taping the seam from top to bottom.

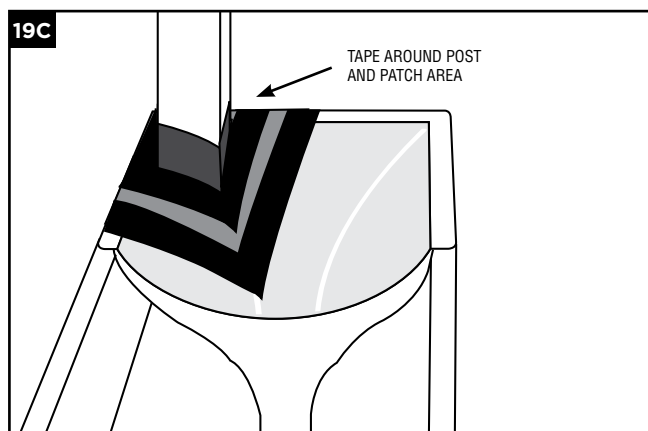
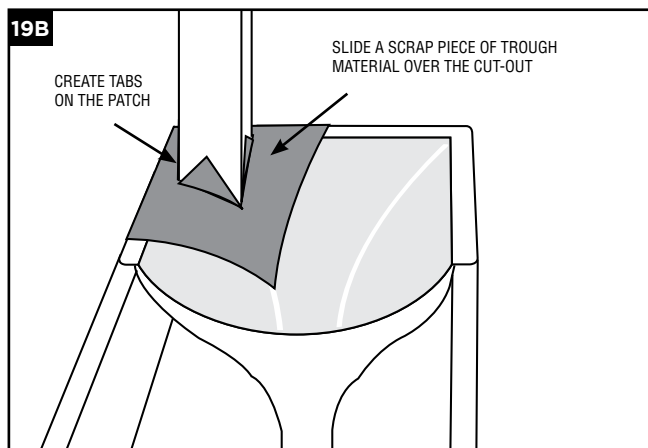
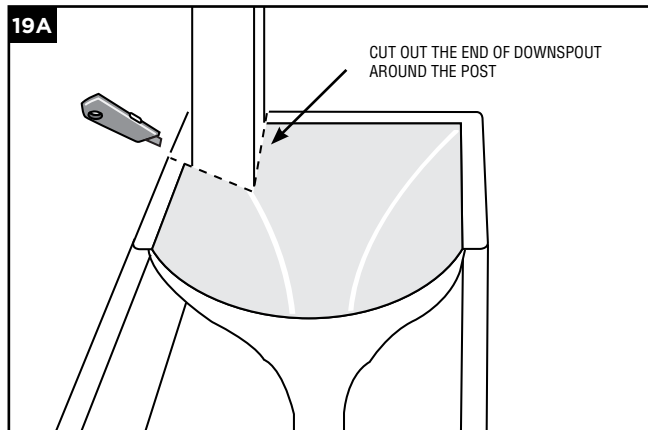


19. MODIFYING DOWNSPOUT FOR OBSTRUCTIONS

- » Trace the obstruction on the downspout and remove the material with a knife. (19A)
- » Cut a patch of trough material 51 mm larger than the opening and create flaps on patch as per previous instructions (obstructions and posts) and slide over the top of the obstruction. (19B)
- » Use caulk as necessary. Tape over seams starting at bottom of patch, then up patch overlapping layers to ensure a water tight seal. (19C)



SCAN FOR VIDEO

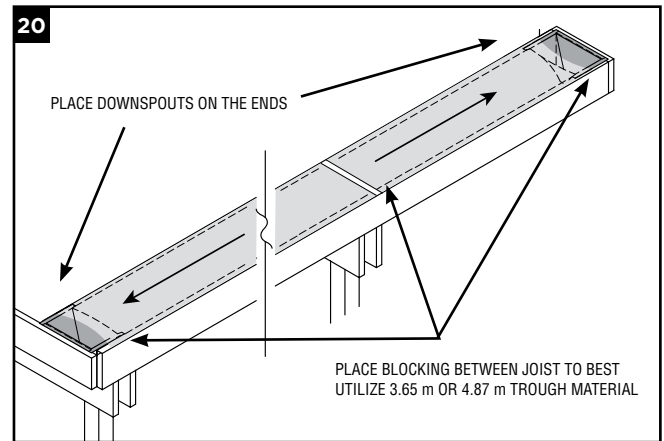


20. DOUBLE EXTENDED DECKS (OVER 6m)

- » Place downspouts on the opposite ends from where the existing deck and the deck extension meet.
- » Install a trough from the blocking of the extension to the downspout.
- » Tape all seams & edges as per previous instructions.

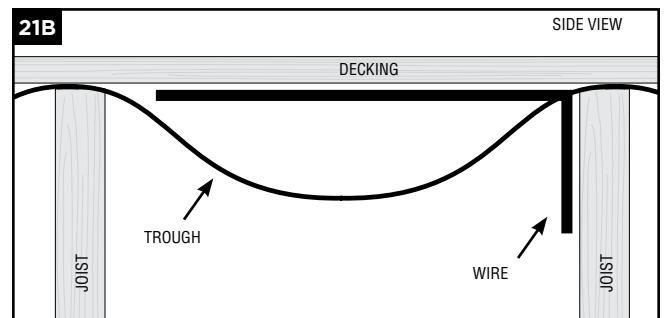
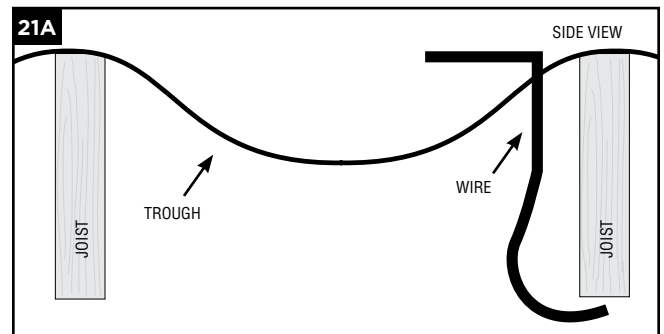


SCAN FOR VIDEO

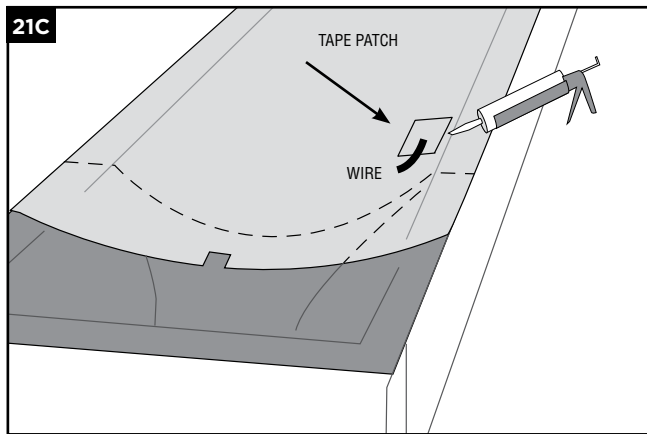


21. RUNNING WIRES OR OBSTRUCTIONS THROUGH TROUGH OR DOWNSPOUT

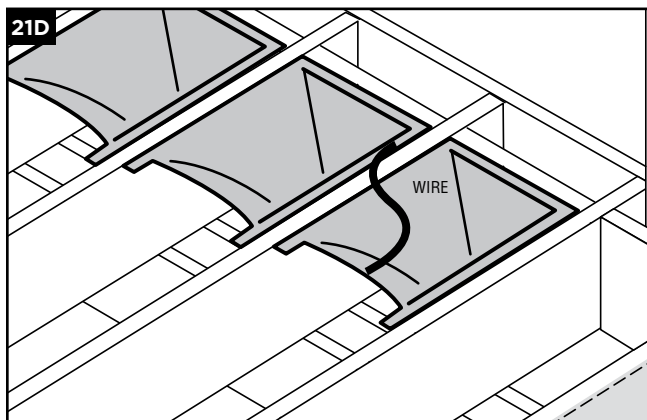
- » Two ways to run wire through Trex Rainescape system:
 - #1 PENETRATION THROUGH TROUGH
- » Pick bay for penetration.
- » Mark near joist where wire will penetrate. Keeping it close to joist helps with connection point and hole is at highest point of trough. (21A)



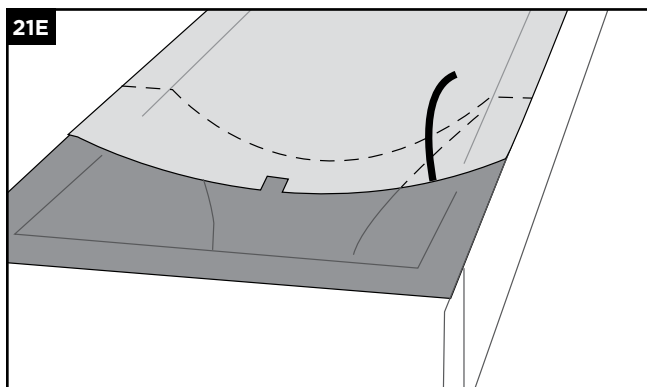
» Cut hole to fish wire going up through side of joists. Apply butyl caulk around wire and tape over wire and caulk. (21C)



#2 THROUGH OPENING WHERE
DOWNSPOUTS MEET TROUGH

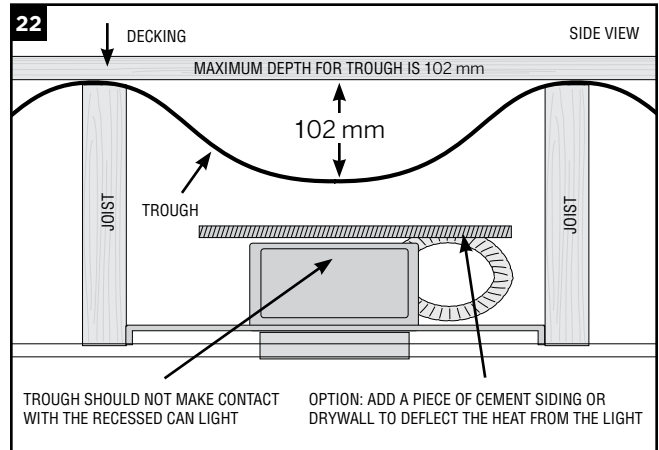


» Fish wire up through the gap between the trough and downspout. (21D)



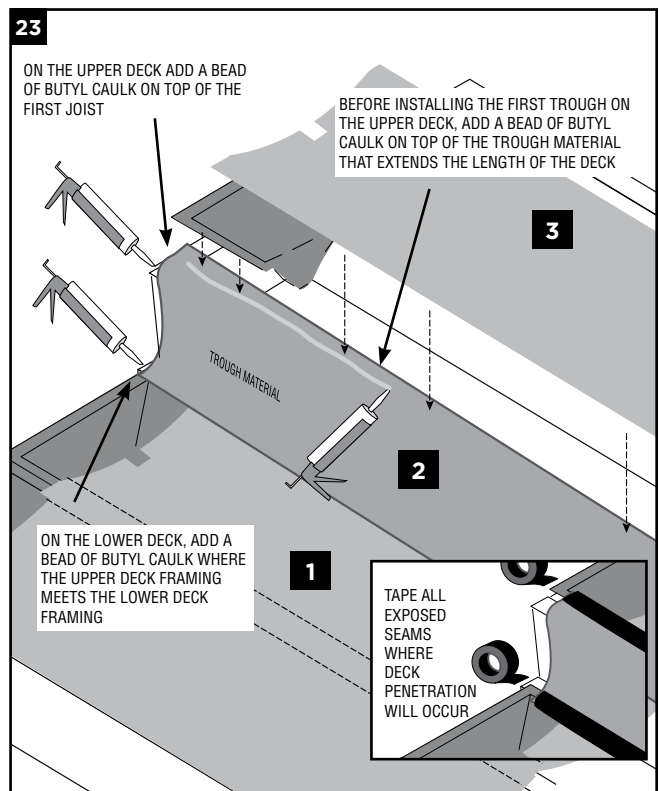
22. INSTALLING LOW PROFILE CAN LIGHTS

»When installing low profile can lights below the trough, make sure the light does not come in contact with the trough material. (22)



23. DECK STEP

- »1. Install the downspouts and troughs on the lower deck. (23)
- »2. Install trough material starting from the lower deck working your way up the stair tread to the upper deck. Overlap the trough material from step 1. (23)
- »3. Install the trough and downspouts on the top deck. (23)
- »After step 3 is complete, finish the installation of the troughs and downspouts on the upper deck.
- »Tape over all exposed seams and where deck screws will penetrate.



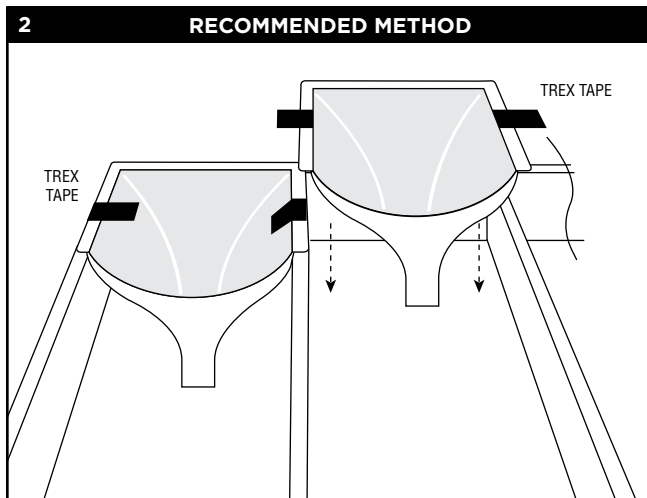
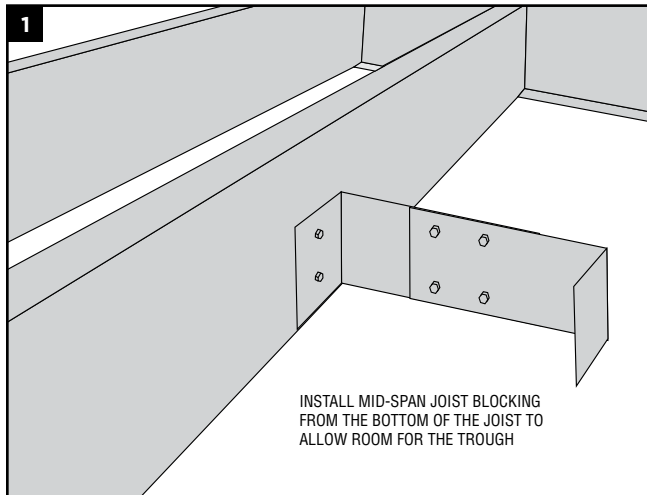
INSTALLATION USING A STEEL JOIST SYSTEM

TWO METHODS:

1. PREP

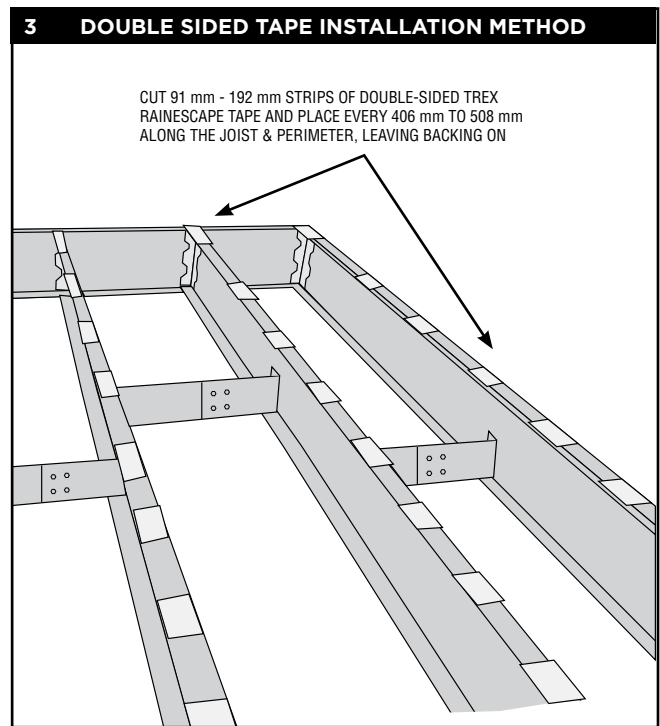
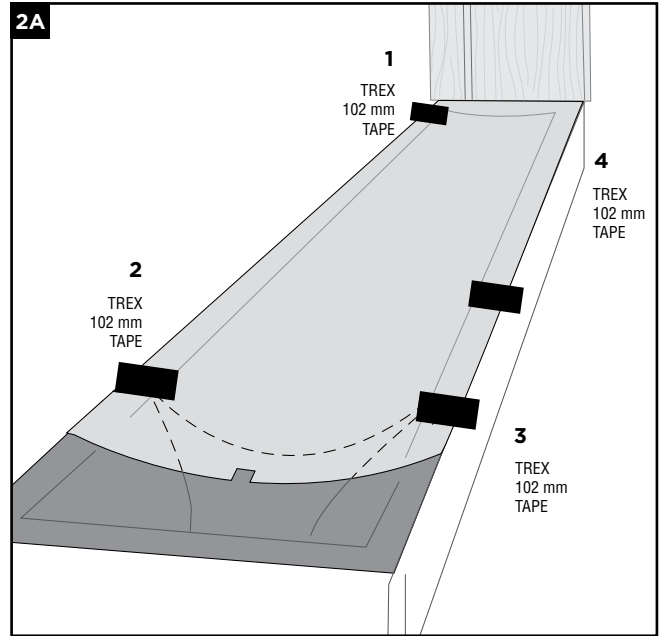
»Apply blocking mid-span between joists.

NOTE: To properly install the Trex RainEscape system over the steel joist system requires a minimum of two people.



»Take three 102 mm strips of our Trex butyl tape to hold downspouts to deck joists. Tape on either side of downspout to secure.

»Instead of using staples, attach the trough material with tape using the same pattern as timber joist. (3E).



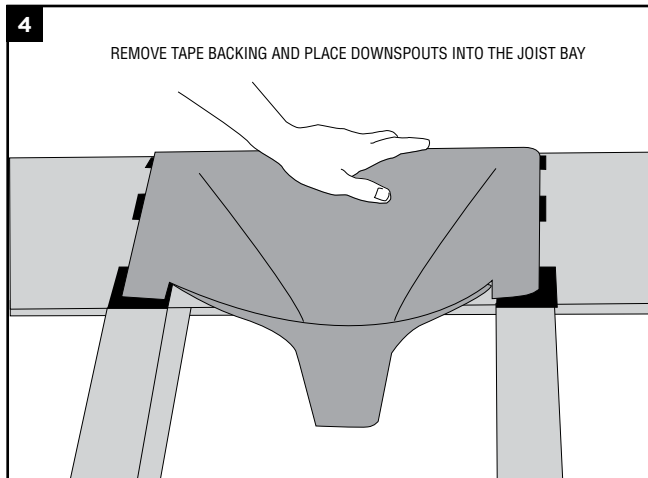
3. TAPE AROUND JOIST AND PERIMETER

»Cut 91 mm - 192 mm strips of the Trex RainEscape double-sided tape and place every 406 mm - 508 mm along the joists and perimeter leaving backing on.

»Stagger tape on second layer of trough to keep flush and level.

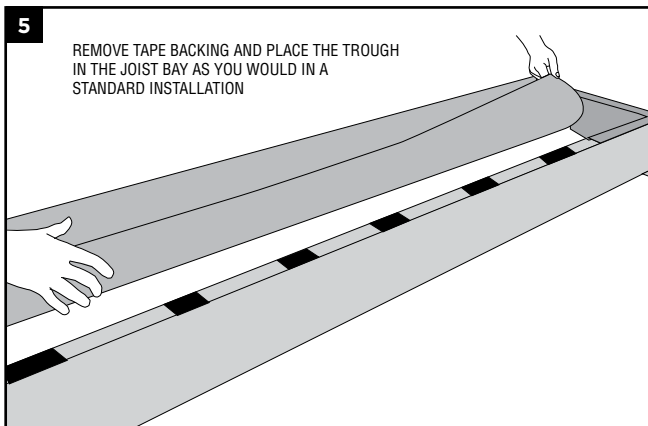
4. DOWNSPOUTS

- »Remove the backing on the double-sided tape and place the downspout in the joist bay.
- »Repeat the process the same as you would in a standard Trex RainEscape installation.



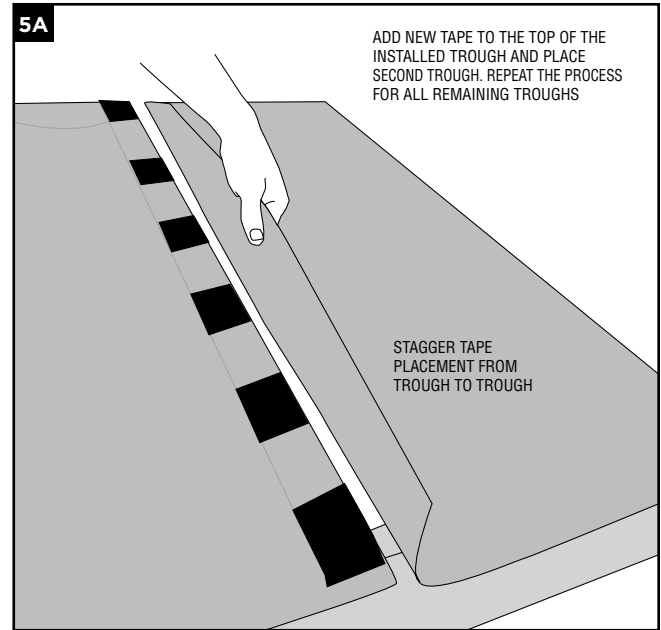
5. TROUGHS

- »Remove the backing on the double-sided tape on one side of the joist and place the first side of the trough as you would in a standard installation.
- »Place new strips of the Trex RainEscape double-sided tape along the top of the adjoining trough and install as you would in a standard installation. (5A)
- »In order to keep the trough from getting too bulky, stagger the placement for the second row of tape so as not to position it on top of the tape below.



SEALING THE SYSTEM

- »Tape the finished system with 102 mm Trex RainEscape Tape as you would for a standard installation.



TREX® RAINESCAPE® LIMITED TWENTY-YEAR WARRANTY

READ THESE WARRANTY TERMS CAREFULLY BEFORE INSTALLING OR USING THE TREX® RAINESCAPE® DECK DRAINAGE SYSTEM. INSTALLATION AND USE OF THE SYSTEM AND/OR ANY OF ITS COMPONENTS SHALL CONSTITUTE YOUR AGREEMENT TO BE BOUND BY ALL OF THE TERMS AND CONDITIONS OF THIS WARRANTY. IF YOU DO NOT AGREE TO ALL OF THE TERMS AND CONDITIONS OF THIS WARRANTY, RETURN THE TREX RAINESCAPE DECK DRAINAGE SYSTEM TO THE PLACE OF PURCHASE FOR A FULL REFUND.

1. WARRANTY

IBP, LLC ("IBP") warrants to the original end use purchaser ("Owner") that the Trex® RainEscape® Deck Drainage System (excluding all tapes and similar ancillary products) ("System") will be free from defects in materials or workmanship under normal and proper use for a period of twenty years from the date of purchase ("Warranty Period") and that Trex® RainEscape® branded System components will conform to IBP's published manufacturer specifications, but only with respect to use of the System on the original structure to which it was installed. THIS WARRANTY IS SUBJECT TO ALL OF THE TERMS AND CONDITIONS SET FORTH HEREIN. This limited warranty shall not apply if (i) the original end use purchaser fails to install and maintain the System in strict compliance with IBP's installation and maintenance instructions, (ii) the System has been damaged as a result of misuse or abuse, by accident or by negligence, including, without limitation, striking, breaking, puncturing, cutting, burning or melting the System and all other activities which cause damage to the System, (iii) the System has been damaged as a result of shifting soils, (iv) the System has been damaged as a result of exposure to long-wave infrared energy reflected from low emissivity glass, (v) the System has been damaged as a result of an Act of God, including, without limitation, hurricanes, tornadoes, floods, earthquakes, hail, forest, wild or other fires and other severe weather or natural phenomena, (vi) the System has been damaged as a result of the disposal of caustic substances on or through the System, (vii) the System has been altered, (viii) the System has been damaged as a result of improper storage, handling or use of the System, or (ix) the System fails to perform to IBP's published specifications for any reason other than defects in materials or workmanship. Subject to the conditions set forth in this Limited Warranty, IBP will, at its option, either repair or replace parts/product which proves to be defective during the warranty period.

2. DISCLAIMER OF OTHER WARRANTIES

The preceding warranty is the sole and exclusive warranty, express or implied, extended by IBP with respect to the System and the System components. The express warranty set forth above supersedes any and all prior, contrary or additional warranties and representations, whether written or oral. THE WARRANTY SET FORTH ABOVE IS EXCLUSIVE AND IN LIEU OF ALL OTHER WARRANTIES BY IBP, EXPRESS OR IMPLIED, ALL OF WHICH ARE HEREBY DISCLAIMED AND EXCLUDED BY IBP, INCLUDING WITHOUT LIMITATION ANY WARRANTY OF MERCHANTABILITY, FITNESS FOR A PARTICULAR PURPOSE AND ALL WARRANTIES ARISING BY COURSE OF DEALING, COURSE OF PERFORMANCE OR USAGE OR TRADE. NO EMPLOYEE, REPRESENTATIVE, AGENT OR DISTRIBUTOR OF THE SYSTEM HAS ANY AUTHORITY TO BIND IBP TO ANY UNDERSTANDING, AGREEMENT, REPRESENTATION OR WARRANTY EXCEPT AS STATED IN ABOVE.

3. EXCLUSIVE REMEDY FOR BREACH OF WARRANTY

If during the Warranty Period, the System or System components do not conform to the Warranty set forth herein with respect to the original structure to which it was installed and if the Owner shall provide IBP with written notice of the claimed defect and otherwise comply with the terms set forth below, then within a reasonable time of its determination that the System or System components do not conform to the Warranty set forth above IBP will, at its option and in its sole discretion, either: (i) provide replacement parts/components for any nonconforming or defective parts/components, or (ii) remit to Owner the percentage of the purchase price Owner paid to purchase the non-conforming System parts/components equal to the percentage of the Warranty Period remaining from the time Owner notified IBP, in the manner provided below, of the nonconformity. THESE REMEDIES ARE THE EXCLUSIVE AND SOLE REMEDIES FOR ANY BREACH OF WARRANTY. Consequently, without limiting the generality of the foregoing, IBP will not under any circumstances provide or be liable for labor costs, costs of removal or reinstallation of parts/components of the System, disposal costs, freight, taxes, or any other costs, charges or expenses incurred by Owner in connection with any nonconforming or defective parts/components.

4. DISCLAIMER OF INCIDENTAL AND CONSEQUENTIAL DAMAGES
IBP SHALL HAVE NO LIABILITY OF ANY KIND FOR ANY SPECIAL, INDIRECT, INCIDENTAL, CONSEQUENTIAL, PUNITIVE, TREBLE, EXEMPLARY OR OTHER SIMILAR LOSS OR DAMAGE ARISING UNDER OR AS A RESULT OF THIS AGREEMENT (WHETHER ARISING IN CONTRACT, TORT, STRICT LIABILITY OR OTHERWISE), INCLUDING, WITHOUT LIMITATION, ANY LIABILITY FOR DAMAGES ARISING OUT OF OR RESULTING FROM IBP'S FAILURE TO TIMELY DELIVER SYSTEM PARTS/COMPONENTS, FROM THE USE, MISUSE, INABILITY TO USE THE SYSTEM AND/OR SYSTEM PARTS/COMPONENTS, FROM THE PERFORMANCE OF THE SYSTEM AND/OR SYSTEM COMPONENTS OR FROM ANY ACT OR FAILURE TO ACT BY IBP. However, some states do not allow the exclusion or limitation of incidental or consequential damages, so the above limitations may not apply to you.

5. PROCEDURE FOR INITIATING A WARRANTY CLAIM

As a condition precedent to Owner's right to seek a remedy for a System or System products/components which allegedly does not conform to the warranty set forth in this Limited Warranty, Owner must strictly comply with all of the terms of this Limited Warranty; if Owner fails to strictly comply with all of the terms of this Limited Warranty, IBP shall have no obligation or liability of any kind or nature under this Limited Warranty. Owner must notify IBP, in writing, at the address set forth below, of the alleged failure to conform to the warranty within thirty (30) days after Owner discovers the alleged nonconformity. The notice must also provide clear, unaltered pictures of the alleged non-conformity, describe with reasonable specificity the location and nature of the alleged nonconformity and its proximity to any to any low emissivity glass, include the original invoice or other proof of purchase, provide evidence establishing that the Owner was the initial purchaser of the System, provide evidence establishing the date the System was purchased, provide evidence establishing the address of the site where the System was initially installed, and provide the Owner's name and contact information. Thereafter, Owner must cooperate with IBP by promptly supplying such additional information as IBP may reasonably request in order to establish whether or not System parts/components failed to conform to the warranty set forth herein and by providing IBP and/or its representatives with access to the System to conduct any reasonable inspection which they deem necessary. If Owner fails to supply IBP with such additional information as IBP may request or if Owner fails to supply IBP or its representatives with access to the System to conduct any reasonable inspection within ninety days following request by IBP, IBP shall have no obligation or liability of any kind or nature under this Limited Warranty. IBP shall have a reasonable period in which to determine if the System parts/components failed to conform to the warranty set forth in this Limited Warranty.

6. LIMITATIONS PERIOD. No action under this Agreement may be brought by Owner against IBP more than one (1) year after Owner discovers the alleged nonconformity of System parts/components.

7. APPLICABLE LAW; VENUE. This Limited Warranty shall be governed by, construed and interpreted in accordance with the laws of the State of Colorado, USA (excluding the choice of law rules thereof). Owner hereby (a) agrees that all disputes and matters whatsoever arising under, in connection with, or incident to this Limited Warranty shall be litigated, if at all, in and before a court located in the State of Colorado to the exclusion of the courts of any other state or country, and (b) irrevocably submits to the exclusive jurisdiction of the District Court for the County of Arapahoe, Colorado in any action or proceeding arising out of or relating to this Limited Warranty, and hereby irrevocably waives any objection to the laying of venue of any such action or proceeding in such court and any claim that any such action or proceeding has been brought in an inconvenient forum.

8. SEVERABILITY. If any covenant or agreement set forth in this Limited Warranty conflicts with any applicable statute, law, rule or regulation, such covenant or agreement shall be deemed by to be modified but only to the extent necessary to conform to what is allowed under such statute, law, rule or regulation. If for any reason whatsoever, any one or more of the provisions of this Limited Warranty shall be held or deemed to be inoperative, unenforceable or invalid as applied to any particular case or in all cases, such circumstances shall not have the effect of rendering such provision invalid in any other case or of rendering any of the other provisions of this Limited Warranty inoperative, unenforceable or invalid.

7. ADDRESS FOR NOTICES TO IBP: IBP, LLC, 2190 W. Bates Ave., Englewood, CO 80110.

This warranty gives you specific legal rights, and you may also have other rights which vary from State to State. Version 2022.05.

FREQUENTLY ASKED QUESTIONS



SCAN FOR VIDEO

Q: Do you have installation videos?

A: Yes, scan the QR code to the right to view installation videos and photos.

Q: How do you clean out the debris?

A: There should be very little, if any, debris that enters the system because it has to be small enough to fit through the decking. Regular deck maintenance prevents most debris build-up as small debris simply passes through the system with water. In the rare case that there is some build up, use the 51 mm x 102 mm access panel.

Q: Does the Trex RainEscape tape adhere to the trough and downspouts in cold weather?

A: If the weather is under 10 °C we'd recommend to keep the Tape in a warm area until it needs to be installed. You can also use a heat gun to activate the Butyl Tape.

Q: Can I install this over an existing deck?

A: Yes, however, it is ideally installed during new construction. You will need to remove the existing deck boards to install the system.

Q: How durable is the Trex RainEscape System?

A: Trex RainEscape is made with durable poly and ultra violet inhibitors. This will protect the Trex RainEscape system from sun, snow and rain. The system comes with a 20-year warranty.

Q: Can I use Trex Protect tape when installing the Trex RainEscape system?

A: No, Trex Protect is used to protect the joists and bearers of a deck foundation. It cannot be used to install the Trex RainEscape system.

Q: How bright is the Trex RainEscape Soffit light?

A: The output of the Trex RainEscape Soffit light is about 445 lm which is roughly equivalent to a 45W floodlight in the same color temperature.

Q: Can I install the Trex RainEscape system near Low-E doors and windows?

A: Yes, but caution must be used. Low-E glass reflects more sunlight, and it can be observed that the extra reflectivity combined with any concavity in the glass can act like a concave mirror, concentrating sunlight onto outdoor objects including decking. This can result in an extreme amount of heat in areas of the decking surface which can cause more movement of the deck than usual. Care should be used in choosing fasteners so as not to cause issues with the RainEscape system.

NOTES



*Protect your deck
from moisture with*

TREX[®] PROTECT[™]

JOIST, BEARER & RIM TAPE



Trex Protect is a non-skid, self-adhesive butyl tape. It protects the deck substructure from moisture that can lead to timber rot and the loosening of deck screws and fasteners.

FOR USE
WITH ANY
TYPE DECK



Trex[®] Protect[™]
JOIST, BEARER & RIM TAPE



For more information, scan the QR code to visit trexprotect.com/au

Trex Protect cannot be used when installing Trex RainEscape. *Visit trexprotect.com/au for the terms of this warranty



For more information, visit trexseal.com



FIGHT DECK FAILURE



Trex Seal™
LEDGER TAPE