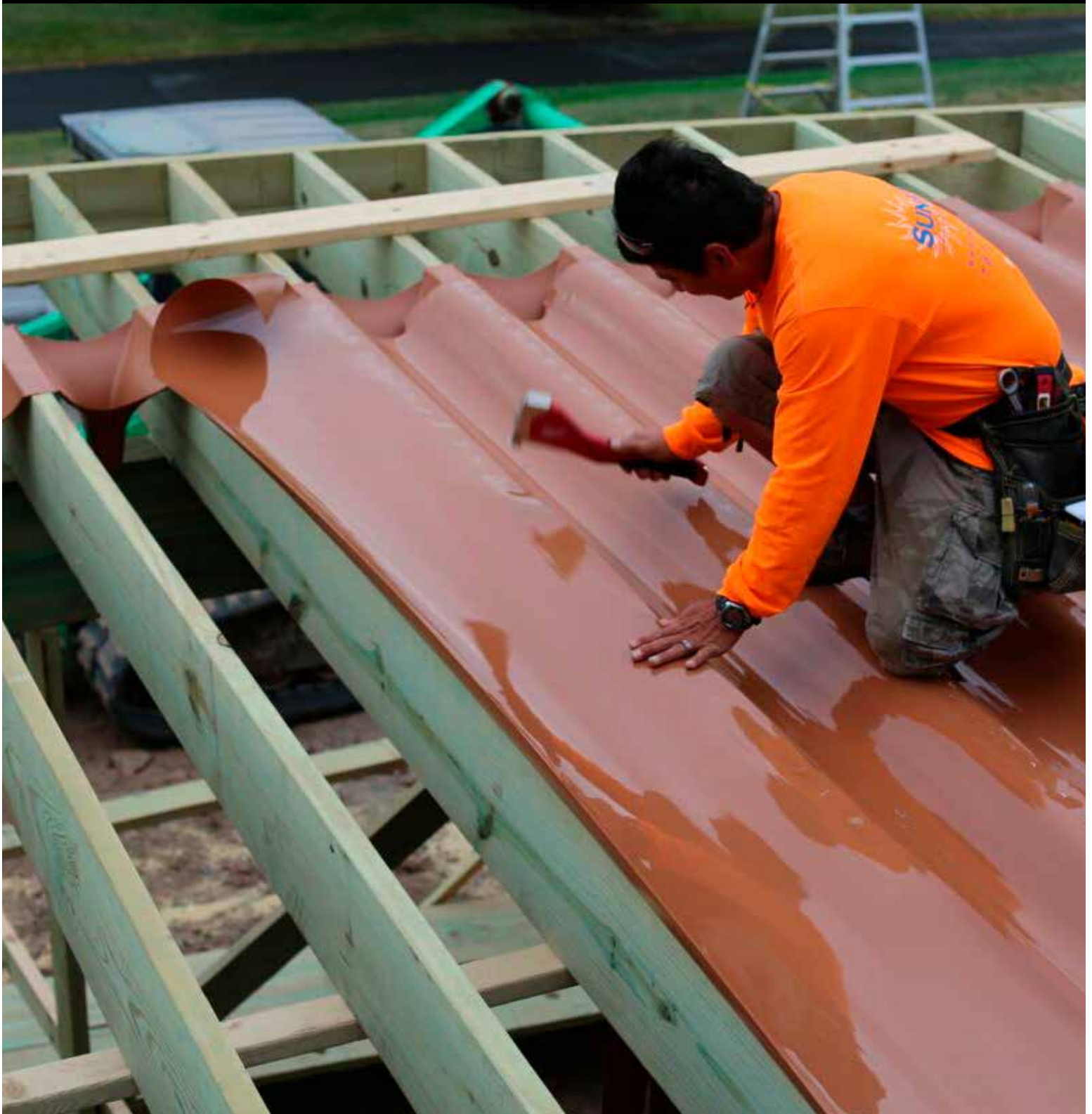


# INSTALLATION GUIDE



**Trex**® RainEscape®  
DECK DRAINAGE SYSTEM

*Create a dry, useable space*

## BELOW YOUR DECK



**Trex** RainEscape®  
DECK DRAINAGE SYSTEM

## TREX RAINESCAPE INSTALLATION GUIDE

This installation guide provides step-by-step instructions on how to install Trex RainEscape on an elevated deck. Please read through these instructions carefully. The installation guide does not address every situation, call us with other situations or questions.



Scan the QR code to view installation videos



### NEED IMMEDIATE HELP WITH INSTALLATION?

Contact our **PRO2PRO** installation expert  
Call **1-877-348-1385** or email  
[Pro2Pro@Trexrainescape.com](mailto:Pro2Pro@Trexrainescape.com)

# PRO2PRO

### BECOME A CERTIFIED INSTALLER



Scan for website and more information.



## CONTENTS

### BASIC INSTALLATION

Parts .....	4
Tools .....	4
Preparation .....	5
Installing the Trex RainEscape Downspout .....	5
Installing the Trex RainEscape Trough .....	6
Tape all Seams .....	8
Types of Flashing .....	8
Installing Fascia .....	10
Installation of a Gutter System .....	10
Installing Trex Rainescape Soffit Lights .....	11

### MODIFICATIONS & SPECIAL CASES

Single Picture Frame or Breaker Board .....	13
Double or Triple Picture Frame .....	13
Installing Railing Using Ladder Box .....	14
Using the Trex RainEscape Post Flash .....	15
Obstructions & Posts .....	16
Surface Post Mount .....	16
Cantilevered Downspout .....	17
Second Story Downspout .....	17
Installation of a Trough Over a Double or Triple Joist/Beam .....	18
Modified Downspout .....	18
Modifying Downspouts for Obstructions .....	19
Double Extended Decks (over 19') .....	19
Installing Can Lighting .....	20
Installing Over Deck Steps .....	20

### INSTALLATION OVER A STEEL JOIST SYSTEM ..... 21

### WARRANTY ..... 22

### FREQUENTLY ASKED QUESTIONS ..... 23

*\*Refer to installation sheet for most current updates*

## BEFORE YOU BEGIN



**ALWAYS CONSULT WITH THE LOCAL BUILDING CODE OFFICIAL PRIOR TO INSTALLING THE SYSTEM TO ENSURE YOU ARE MEETING ALL CODE AND SAFETY REQUIREMENTS.**



**TREX RAINESCAPE IS NOT RESPONSIBLE FOR IMPROPER OR NON-RECOMMENDED INSTALLATIONS.**



Scan this QR code to view a video on design and layout considerations.

### DO'S

- ✓ **DO** make all joists straight and square
- ✓ **DO** add outlets to gutter every 12' - 14'
- ✓ **DO** cover all joists and blocking with trough material, then butyl tape
- ✓ **DO** cover the Trex RainEscape system with deck boards
- ✓ **DO** acclimate the trough before installing
- ✓ **DO** ensure the troughs and downspouts are dry and clear of debris before applying tape
- ✓ **DO** install the trough material with the shiny side up
- ✓ **DO** use Trex RainEscape products only
- ✓ **DO** use vertical screw, flat bottomed clip (if using hidden fasteners).

### DON'TS

- ✓ **DO NOT** staple Trex RainEscape products anywhere other than into or over floor joists, ledger, rim joists, or headers
- ✓ **DO NOT** use nails, spiked hidden fasteners, fasteners that go in at an angle, or any fastener without a flat base to provide pressure to butyl tape
- ✓ **DO NOT** use Trex Protect tape or any other branded tape. Only use Trex RainEscape 4" tape.
- ✓ **DO NOT** overdrive double thread screws
- ✓ **DO NOT** stand anywhere other than the top of the floor joists, ledger, rim joists, or headers. The Trex RainEscape system can not support body weight.
- ✓ **DO NOT** pre-drill the deck boards while on the Trex RainEscape system
- ✓ **DO NOT** splice the trough material or it will need to be replaced

## HELPFUL TIPS



**THE TREX RAINESCAPE SYSTEM IS MORE EASILY INSTALLED WITH TWO PEOPLE WORKING TOGETHER**

#### SNOW BUILD-UP

Snow will sit on decking until it melts and then it will run through the system.

#### LEAVES

If leaves and debris accumulate in the troughs, a standard washing or a hard rain will clean out the system.

#### IF THE TAPE WILL NOT STICK

In areas, such as the perimeter, brick or stucco, where the Trex RainEscape tape will not stick, use the Trex RainEscape butyl caulk to adhere the material.

**TO ESTIMATE YOUR MATERIALS NEEDS OR FOR QUESTIONS, VISIT OUR WEBSITE AT [TREXRINESCAPE.COM](http://TREXRINESCAPE.COM) OR CONTACT US AT 1-877-348-1385**

# BASIC INSTALLATION

## PARTS

**DOWNSPOUT - 40 mil**  
fits 12" or 16" on-center (OC)  
17-11/16" x 13-5/8" x 10-3/4"  
(45 mm x 35 mm x 27 mm)

**TROUGH - 20 mil**  
19-5/8" x 16' (49.8 cm x 4.8 m)

**TROUGH - 20 mil**  
19-5/8" x 12' (49.8 cm x 3.6 m)

**WALL FLASH**  
1/4" x 1" x 25'  
(6.35 mm x 25.4 mm x 7.62 m)

**TAPE**  
4' x 50'  
(102 mm x 15.24 m)

**TREX SEAL TAPE**  
11" x 50'  
(27.9 cm x 15.24 m)  
\*Also available in 25' roll

**TREX SEAL SUB-LEDGER TAPE**  
22' x 25'  
(55.9 cm x 7.62 m)

**TREX RAINESCAPE BUTYL CAULK\*** (10.5 oz tube)  
\*One tube covers 25 linear ft. w/1/4" bead

**SOFFIT LIGHT**  
Housing diameter (metal):  
5-7/16"; Light face diameter (exposed) 3-3/8"

**4x4 POST FLASH**  
(102 mm x 102 mm)

## TOOLS

**STAPLE GUN**

**CAULK GUN**

**REGULAR STAPLES**  
(3/8" or longer)

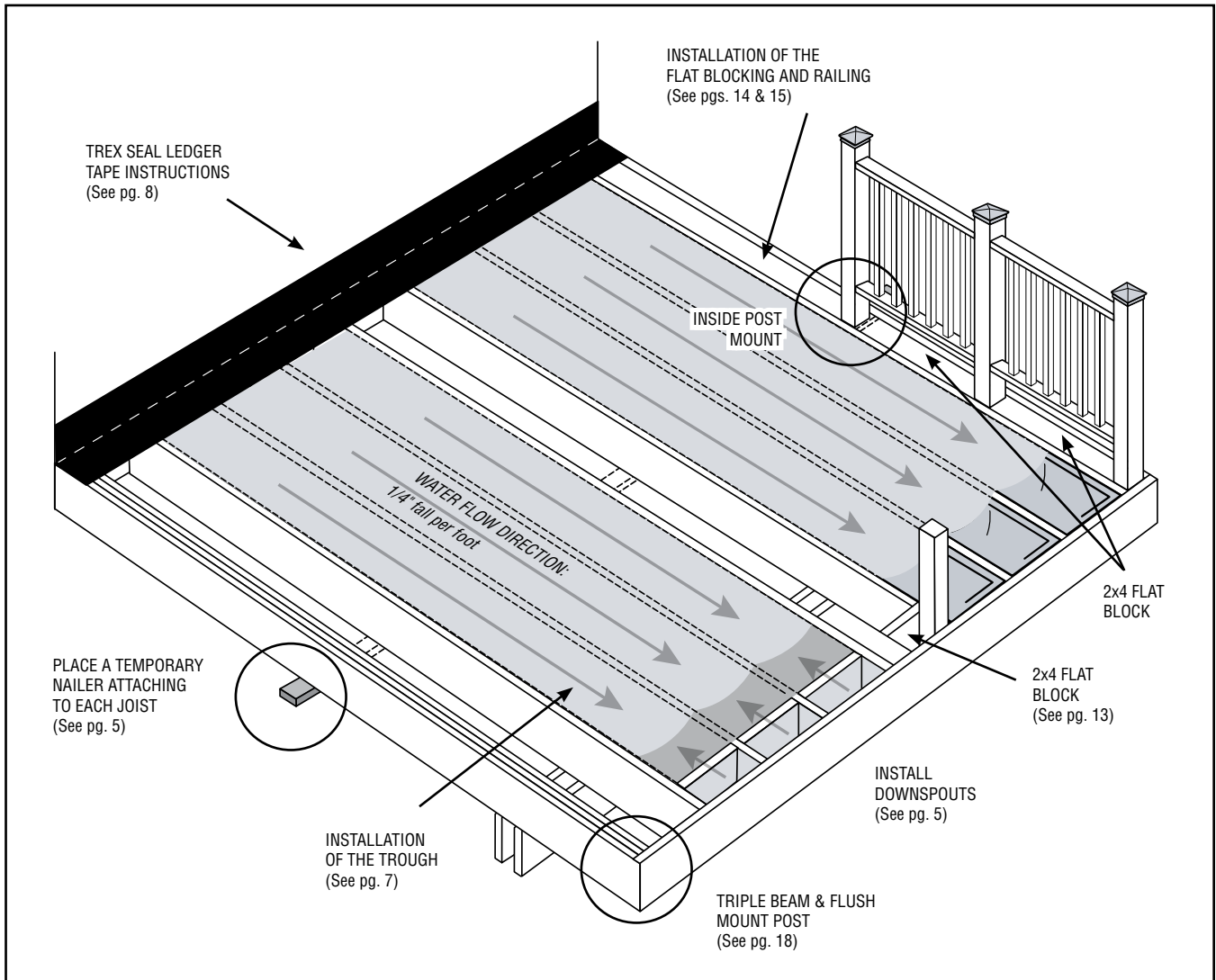
**UTILITY KNIFE**

**SINGLE-THREADED SCREW**

**4-5/8" (120 mm) HOLE SAW**

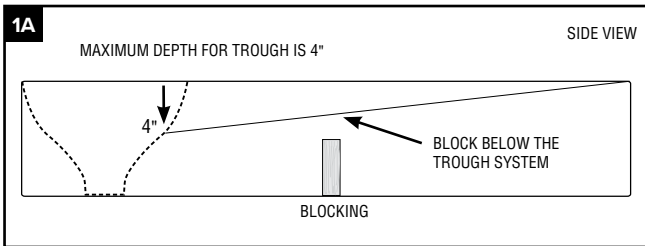
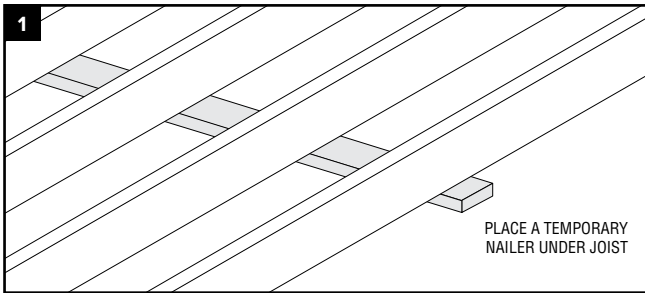
**TREX UNIVERSAL HIDDEN FASTENERS**  
(if using this system)

## FRAMING DETAIL



## 1. PREPARATION

- »Read all instructions completely before beginning.
- »If you are installing a ledger board, we recommend using Trex Seal Sub-Ledger tape to ensure optimal protection against water penetration.
- »Place midspan nailer (1) or vertical blocking (1A) to keep joist straight and prevent rolling or blocking should be installed and left to keep joists from moving.
- »Midspan nailer can be removed when soffit or ceiling is installed.

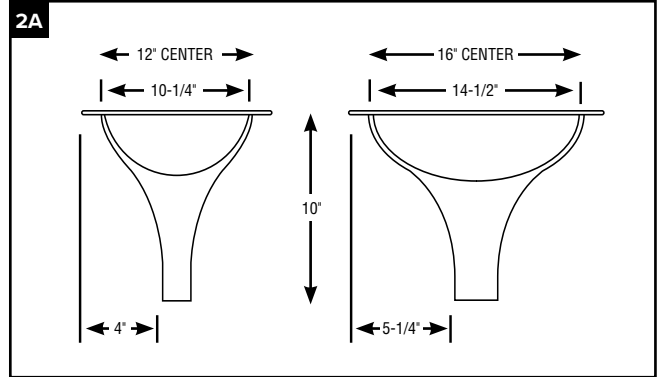
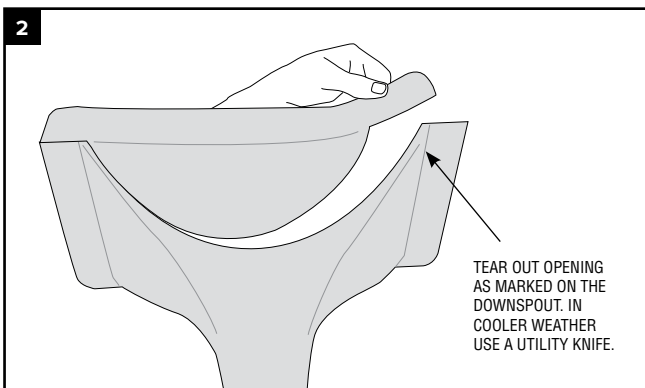


## 2. INSTALLING THE TREX RAINESCAPE DOWNSPOUT

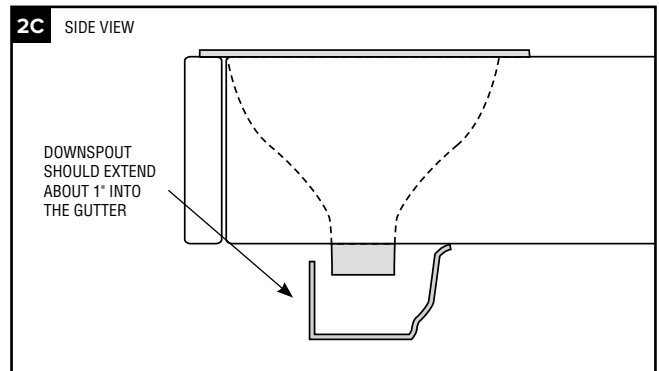
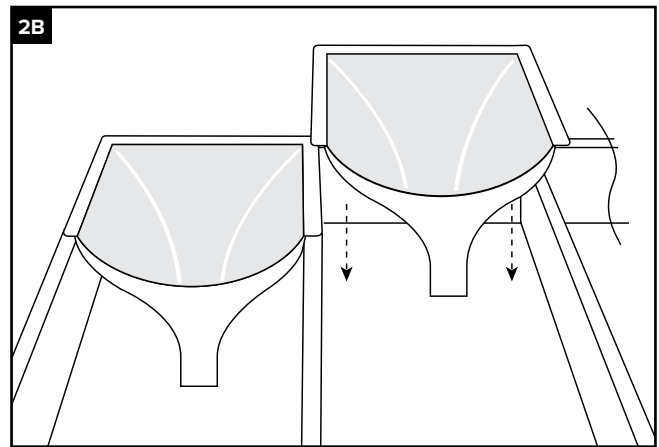
- »Cut downspouts along one 12" or 16" side of score mark based on joist spacing.
- »Install all downspouts along rim joist and/or ledger board. Cut-out side should face open deck bay.



SCAN FOR VIDEO



- »Downspout should extend 1" into gutter: cut or extend as necessary. (2C)



## BASIC INSTALLATION

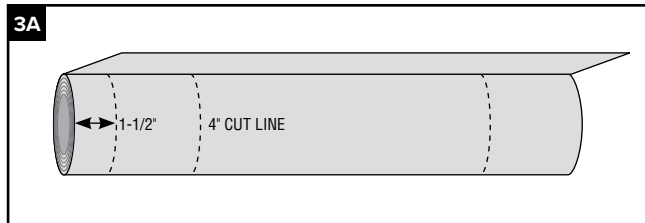
### 3. INSTALLING THE TREX RAINESCAPE TROUGHS

*NOTE: If installing when temperatures fluctuate drastically, be sure to acclimate trough material before installing. Especially if you are using black. Here are two ways.*

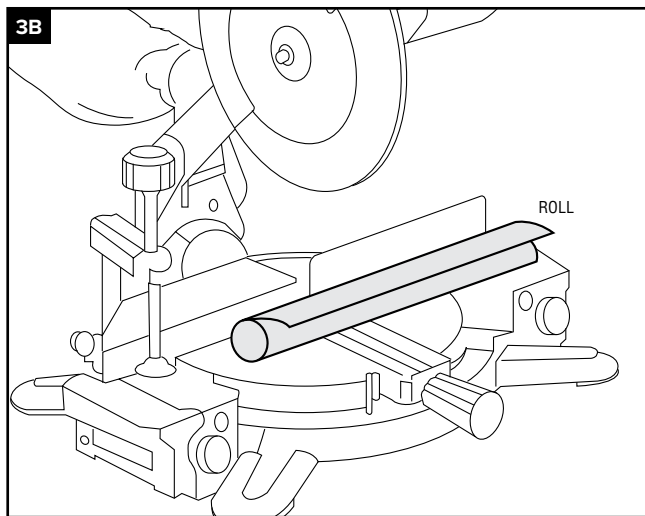


SCAN FOR VIDEO

- »Unroll trough material, giving plastic time to relax and acclimate to outdoor temperatures.
- »Roll trough material back up, smooth/shiny side in to ease install.
- »When working with the Trex RainEscape trough material, ensure that the smooth/shiny side always faces up.

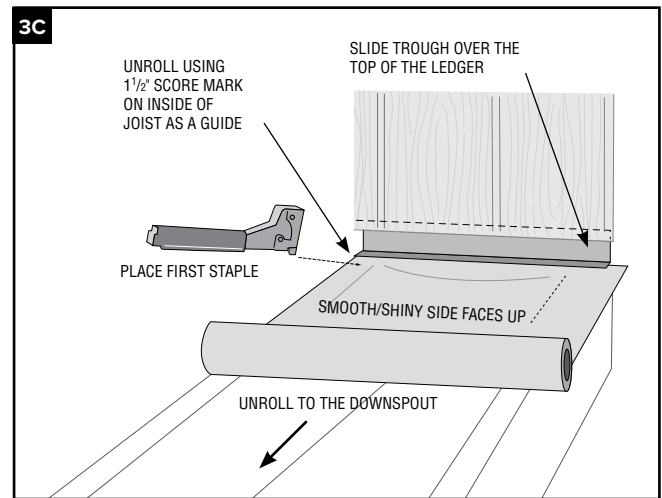


»If installing the system on 12" o.c. joist, cut the 1-1/2" score mark side back 4". Then align the left edge of the trough with the outside of the joist. (3A)

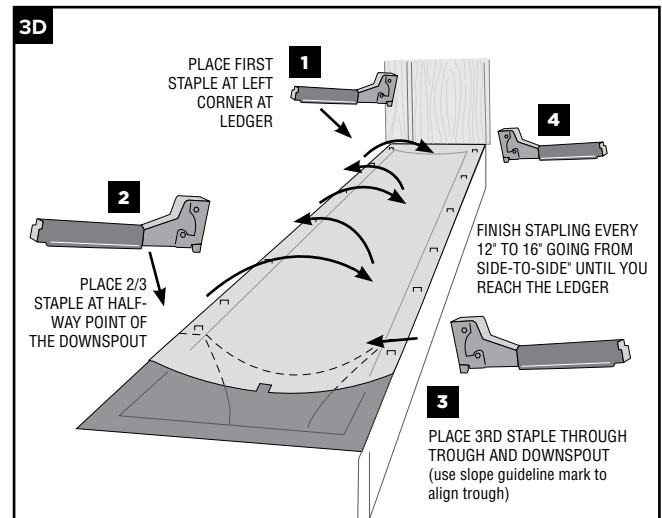


»If installing a non-standard spacing that isn't 12" or 16" o.c., call us at 1-877-348-1385.

»Install each trough moving from left to right, when looking up the slope of the trough, typically towards the house.



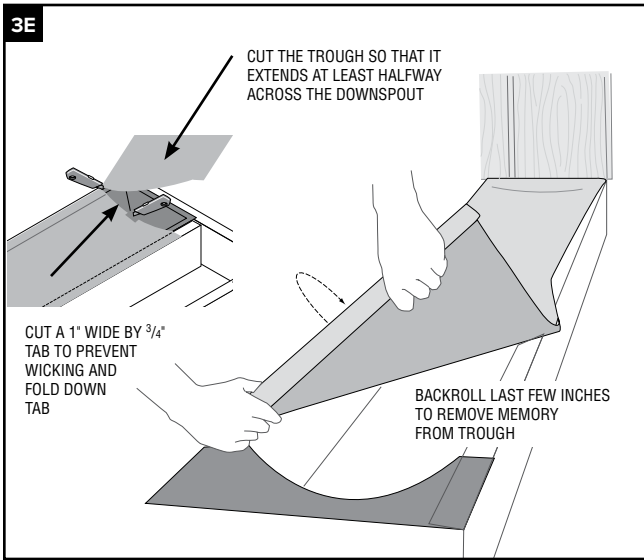
- »Apply a bead of caulk along the ledger board.
- »Hold roll so 1-1/2" score mark is on the left. (3C)
- »Line up the 1-1/2" score with the left joist.
- »Place first staple at ledger board on 1-1/2" score mark side. (3D)



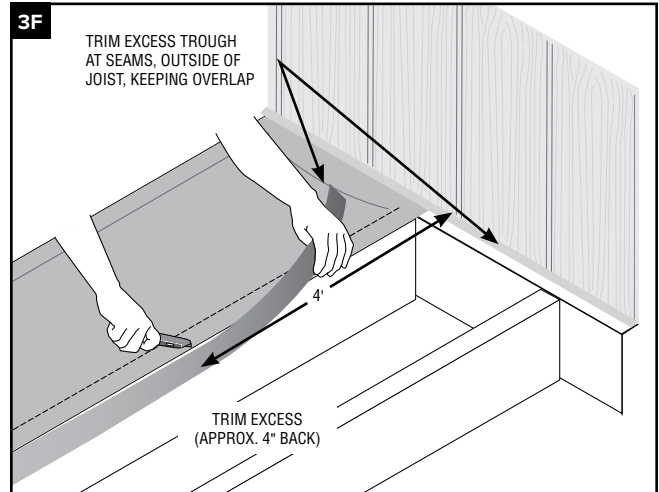


- »Unroll trough to downspout using 1-1/2" score mark on inside joist as guide.
- »Cut the trough so that it extends at least halfway across the downspout.
- »To remove memory, backroll the last few inches of the trough. (3E)

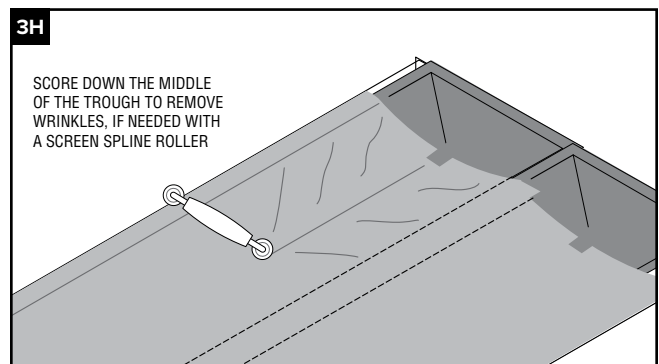
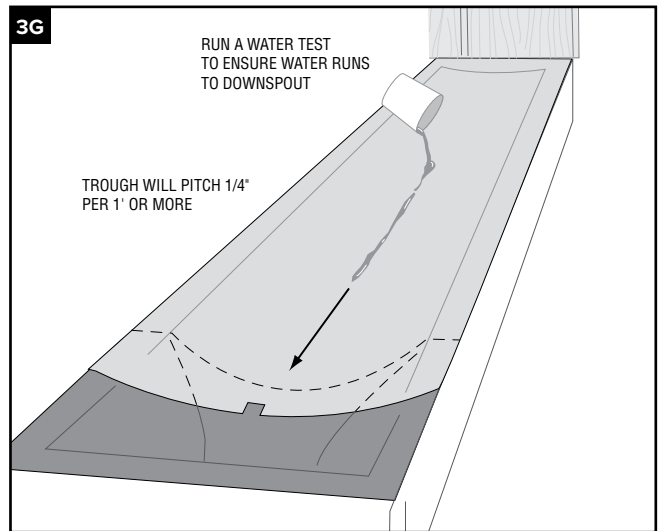
**NOTE:** If run is longer than 12', put down second staple halfway down left joist.



- »Pull trough tight to ensure memory is released, and place second staple on left joist through downspout. (3D)
- »Form a trough into downspout while lining up the edge of the score mark with inside of joist creating a minimum of 1/4" per foot. Place third staple through trough and downspout on right joist. (3D)
- »Pull corner at ledger and right joist tight keeping entire length of trough smooth and wrinkle-free so as not to impede water flow. (3D)
- »Place fourth staple on right joist. (3D)
- »Continue stapling every 12" to 16" from downspout to ledger on both joists to secure. (3D)
- »Cut a 1" wide by 3/4" tab at center edge of trough (fold tab down) to prevent wicking. (3E)
- »Trim excess trough material along the outside edge of the joist. (3F)
- »Trough material must cover all exposed wood on surface of deck



- »To test for correct slope, pour a cup of water on trough at ledger board ensuring water runs to the downspout. (3F)
- »Follow previous steps for the remaining troughs.



**NOTE:** In extreme temperature swings or in direct sunlight, trough material will expand and contract. Some wrinkling is acceptable but should not impede the flow of water.

## BASIC INSTALLATION

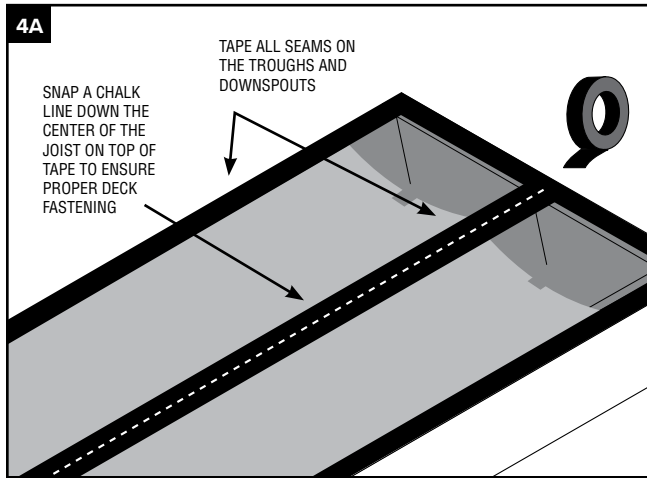
### 4. TAPE ALL SEAMS

»Using Trex RainEscape tape, tape all seams, joints and perimeter making sure the flashing is taped to the trough. (4B)



SCAN FOR VIDEO

**NOTE:** Tape works off of compression and must be pinched between decking and joist to make a tight seal.



**NOTE:** The butyl tape should never be put directly on wood. The trough material or a downspout must be below it.

### 5. FOUR TYPES OF FLASHING:

If you are installing a ledger board, we recommend installing Trex Seal Sub-Ledger Tape.

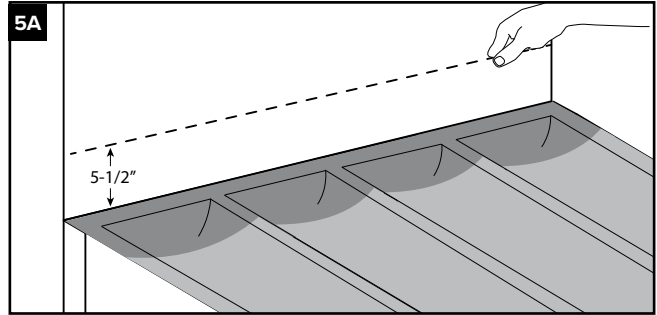


SCAN FOR VIDEO

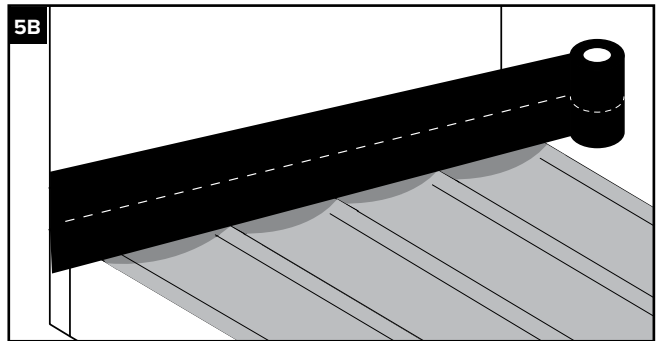
Install Trex Seal Flashing –

#### 1. Trex Seal Ledger Flashing Tape **RECOMMENDED**

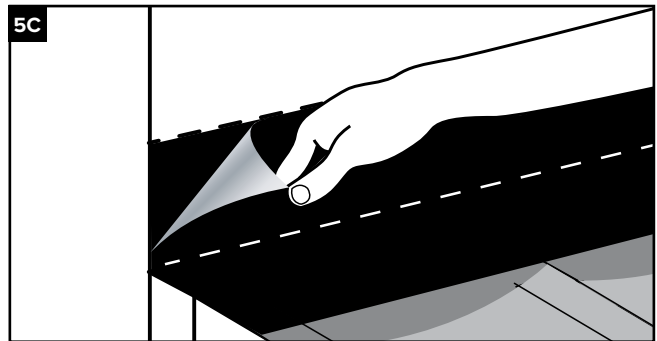
- »Apply a bead of caulk along the ledger board.
- »Install the Trex RainEscape system.
- »Mark a 5-1/2" line above the ledger board under the house wrap. (5A)



»Unroll the Trex Seal Ledger Tape and cut to length. (5B)



»Fold the Trex Seal Ledger Tape in half. Remove one of the release liners. Press to seal against the vertical surface at the 5-1/2" line. (5C)



»Once the vertical surface is attached, remove the second release liner, unfold the Trex Seal Ledger Tape and press firmly against the Trex RainEscape system. (5D)

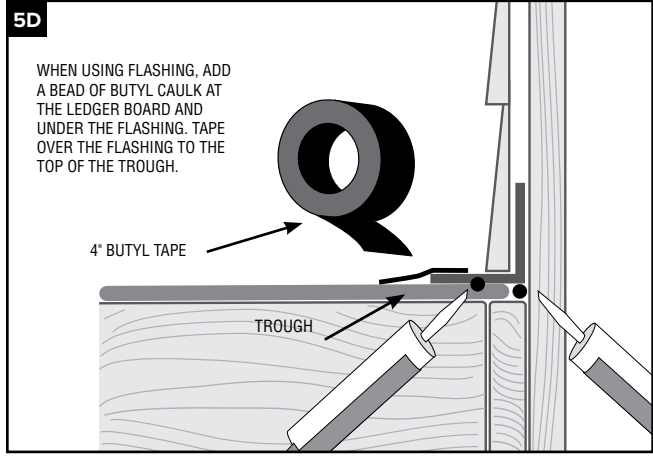


## 2. Metal Flashing

»Add a bead of butyl caulk at the ledger board and between the flashing and trough. Tape over the flashing to the top of the trough using the 4" RainEscape butyl tape. (5D)

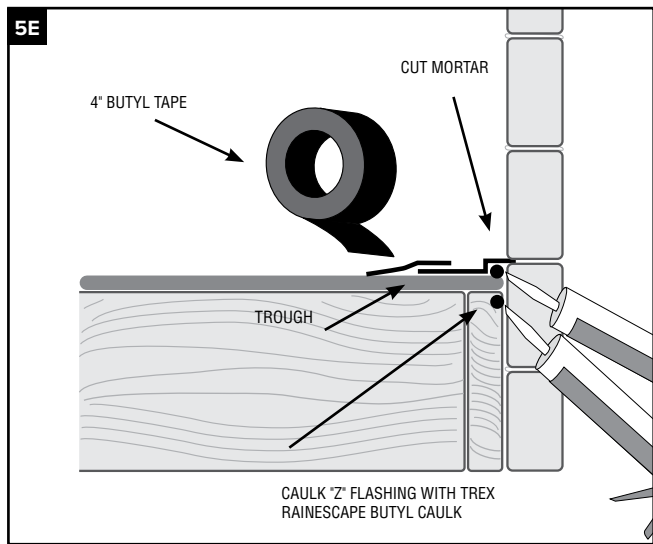


SCAN FOR VIDEO



## 3. Flashing with Brick or Stucco

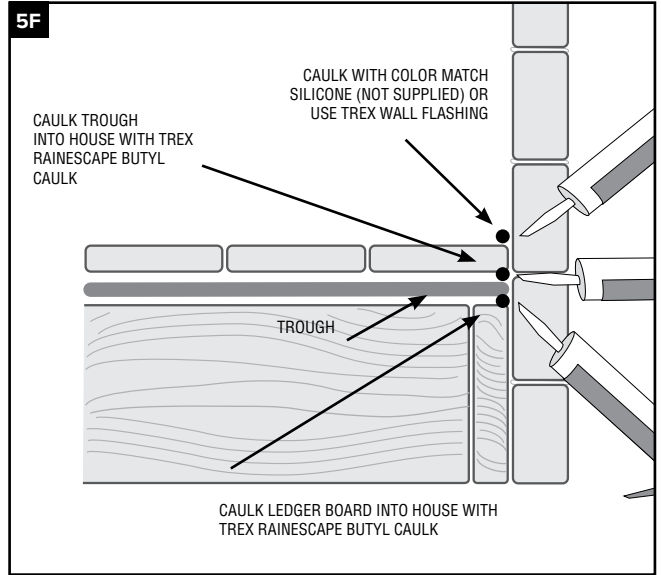
»Cut into mortar or cement joint. Caulk "Z" flashing into mortar. Install trough under flashing as shown in (5E). Tape over flashing to the top of the trough using the 4" RainEscape butyl tape. (5E)



## 4. No Flashing with Brick or Stucco

»If installing against brick or stucco and you DO NOT need a 100% water tight seal, use the caulking method. (5F)

*Trex does not endorse installing the system without flashing. If installation with flashing is not possible, refer to your local building code official for an exception.*



## 6. WALL FLASHING FOAM STRIP

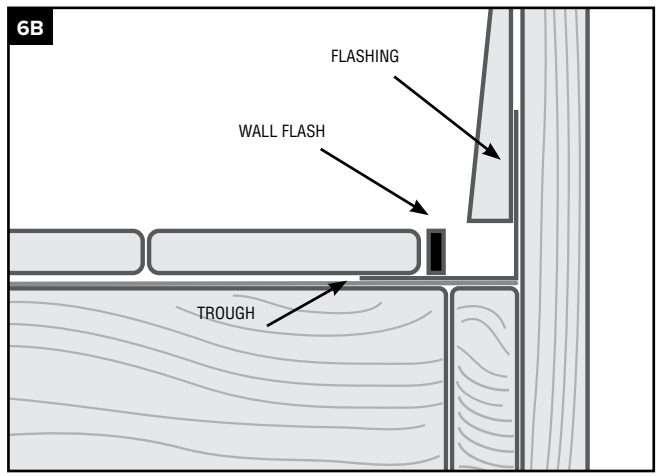
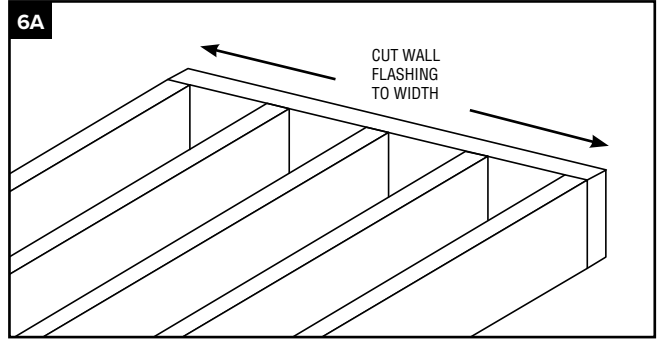
»Cut a piece of the self-adhesive wall flash the width of the deck. (6A)

»Peel release paper from the wall flashing and adhere to edge of decking. (6B)

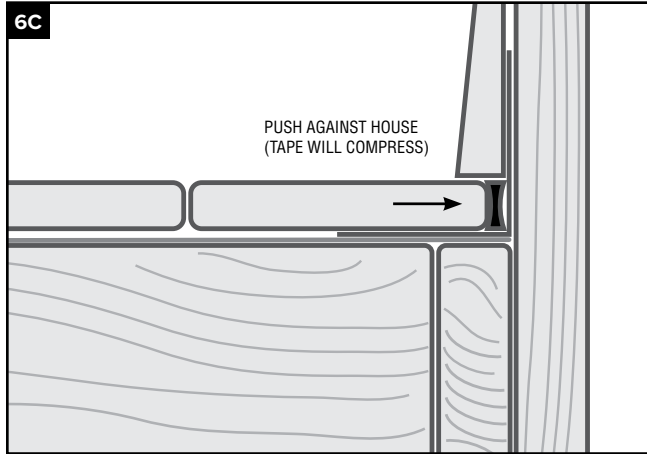
»Push first deck board up against house to compress wall flash. Then secure decking. (6C)



SCAN FOR VIDEO

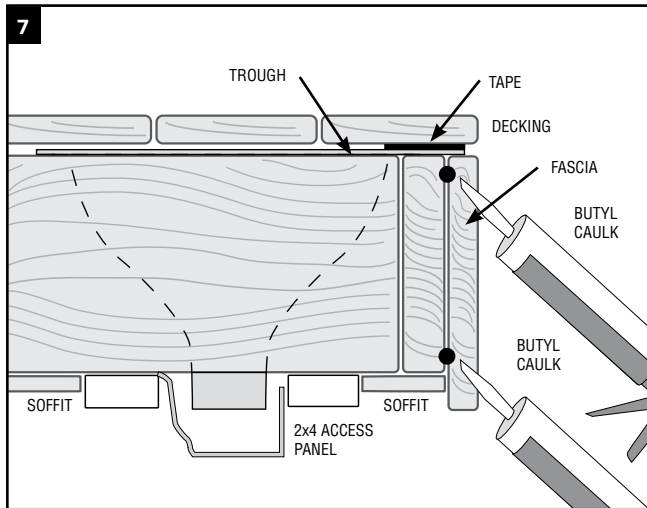


## BASIC INSTALLATION



### 7. INSTALLATION OF FASCIA

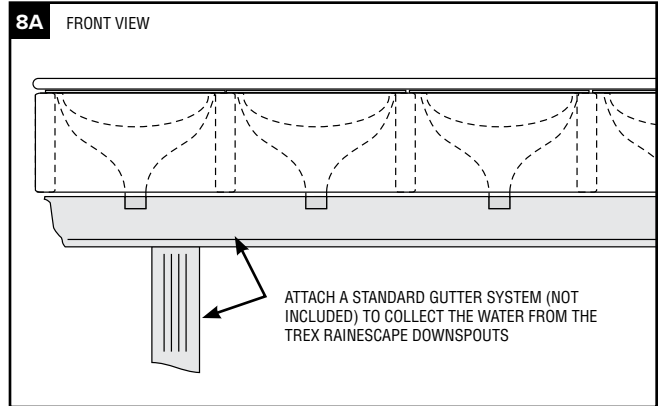
»Deck board go over fascia. (7)



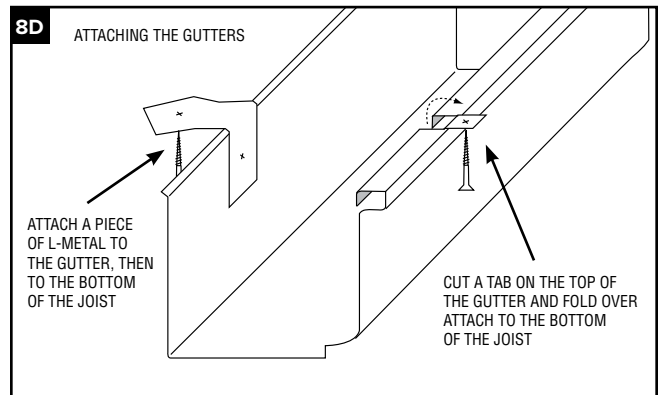
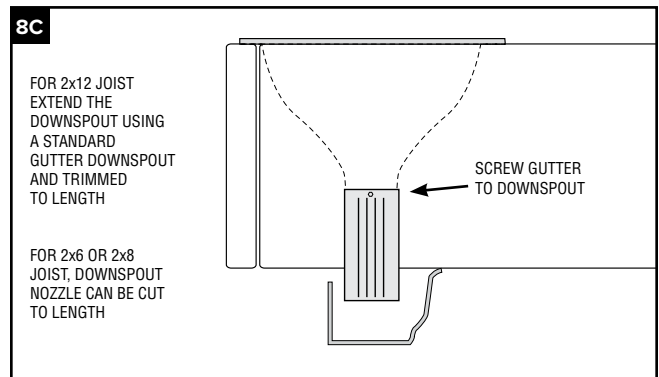
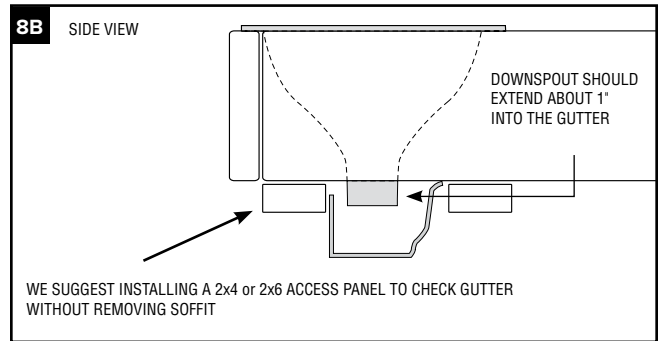
### 8. INSTALLING A GUTTER SYSTEM (not included)

»Before installing a gutter system perform a water test to clean out the system and check for any leaks.

»Attach a standard gutter system to collect the water from the Trex RainEscape downspouts.



**NOTE:** Installing a clean-out trim piece will allow access to gutter line after installation.



## 9. INSTALLING TREX RAINESCAPE SOFFIT LIGHTS

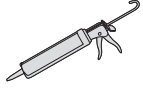
### REQUIRED FOR INSTALLATION

If you did not purchase the Soffit Light kit, (available in one, four or eight pack kits), you need to buy a soffit light, TREX/DEKOR Transformer, TREX Lighting Extension Wire, and TREX Lighting T-splitter for operation.

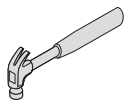


SCAN FOR VIDEO

### TOOLS NEEDED



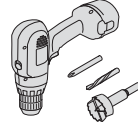
CAULK GUN



HAMMER

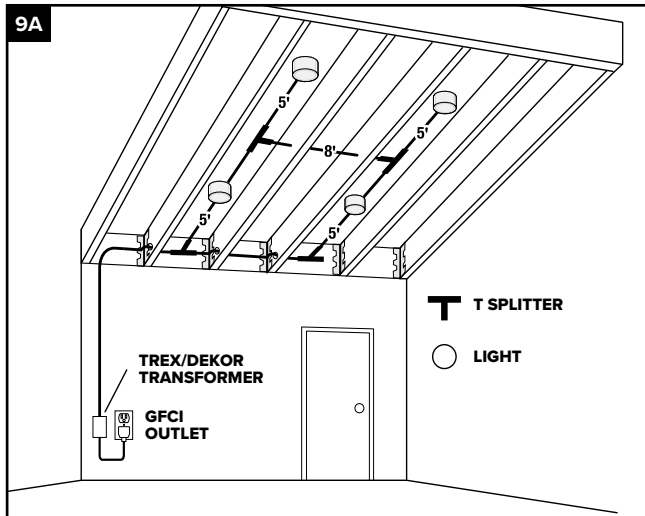


JIG SAW



4-5/8" (120 mm)  
HOLE SAW

### LIGHTING LAYOUT



»Space lights every 5' (1.52 m) or to desired span.

### GENERAL INFORMATION

- »ALWAYS consult local codes before beginning a project.
- »USE TREX/DEKOR TRANSFORMER ONLY.  
Use of any other transformer voids warranty.
- »Lights must be installed in a dry area.
- »Allow light to cool before removing.
- »The light requires an unobstructed cooling zone around and above the light. Under no circumstance is this 2" (51 mm) zone to be reduced either through insulation or construction materials.

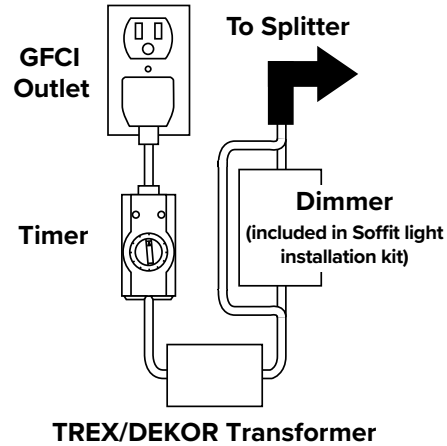
#### TRANSFORMER CAPACITY BY TYPE

Type of Light	8.3A Transformer (83 DL TRANSFORMER)	2.5A Transformer (25 DL TRANSFORMER)
Soffit Light	23	7

Above listing is for maximum number of each individual light. If mixing and matching lighting, contact Trex to determine if more than one transformer is required.

### PLANNING

*NOTE: When designing your deck, plan locations of lights, power supply, timer, and dimmer. These should be accessible for service. Installing a GFCI outlet is REQUIRED to help prevent damage to lighting from electrical surges. (9A)*



1. The dimmer remote will work in a 30' (9.1 m) radius of the unit.
2. Dimmer should be installed in a dry location.
3. Timer must be installed vertically with receptacle facing downwards. Timer must be at least 1' (.30 m) from ground level when installed as per federal safety code height regulations. Timer must be in view of the sun to use the dusk/dawn feature.

*NOTE: For installations where the transformer is hardwired to an AC switch, please consult a licensed electrician.*

### INSTALLING WIRING

*NOTE: It is recommended to install wiring and splitters before decking and railing is installed.*

- »Use male-to-male connection wire (lengths vary) that will connect to each required splitter.
1. Wiring must be run through deck joist at desired location. DO NOT run wires between deck boards and joists. Staple to frame with cable staples at least 1/4" (0.6 cm) wide. DO NOT crush wire insulation with staple.

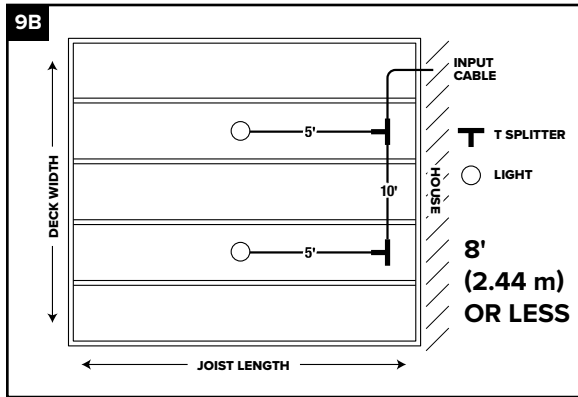
### MEASURING

1. Measure joist length and divide by 5.
2. Measure deck width and divide by 5.
3. Take the answer from #1 and multiply by the answer of #2 = the total number of lights. (9B)

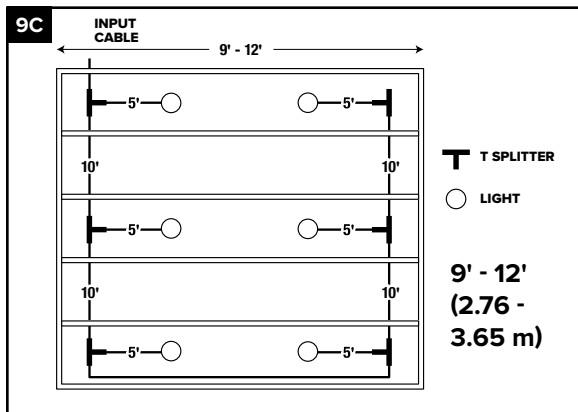
*NOTE: It is better to over light your area. The dimmer switch can soften the lighting.*

## BASIC INSTALLATION

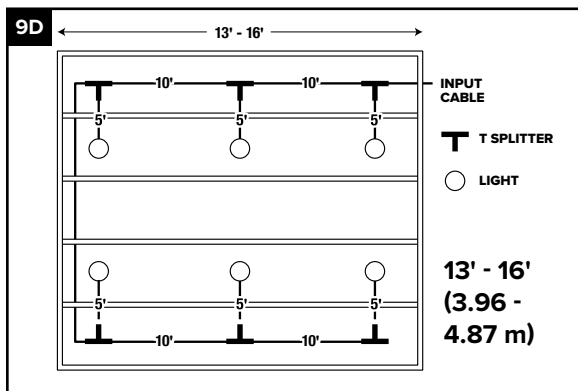
### EXAMPLE OF A 1 ROW LIGHT INSTALLATION FOR JOISTS LESS THAN 8'



### EXAMPLE OF A 2 ROW LIGHT INSTALLATION FOR JOISTS BETWEEN 9' AND 12' (2.76 - 3.65 M)

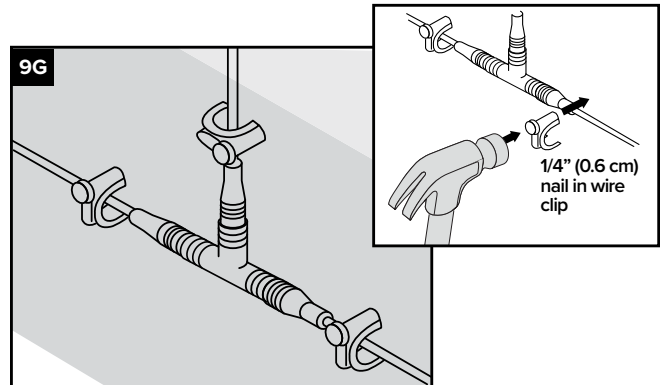
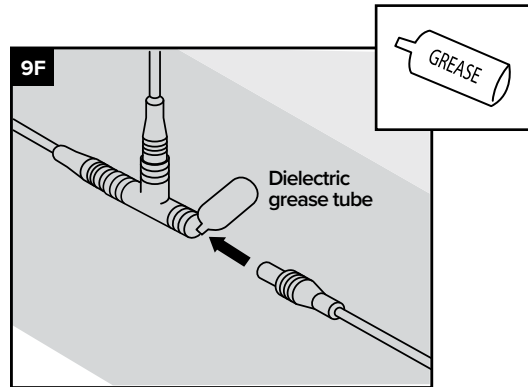
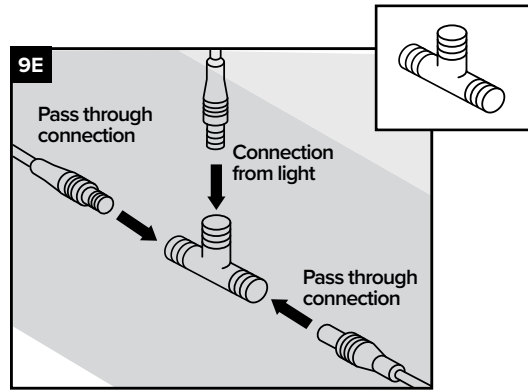


### EXAMPLE OF A 3 ROW LIGHT INSTALLATION FOR JOISTS BETWEEN 13' AND 16' (3.96 - 4.87 M)



## MAKING CONNECTIONS

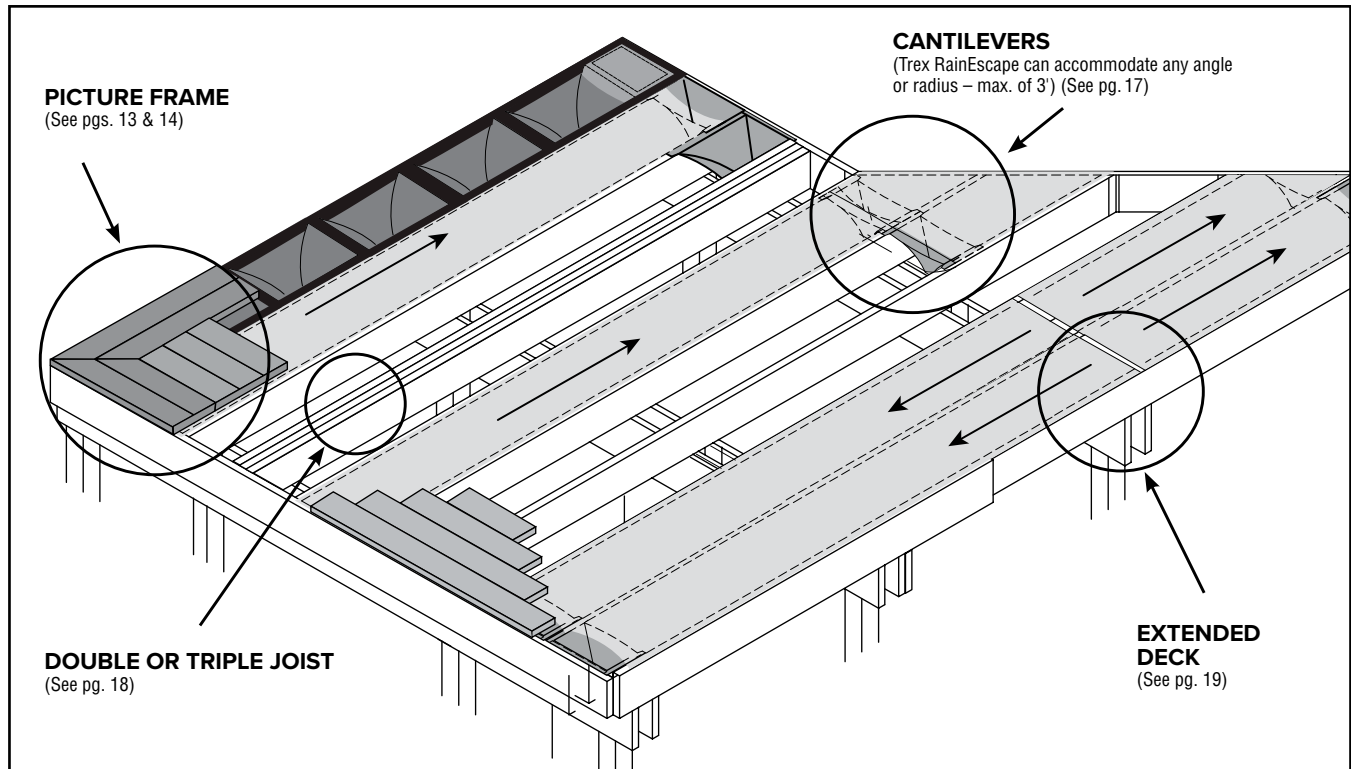
1. Install splitters to inside of framing using hardware provided. Install a splitter at every junction where you will run a row of lights. (9E)
2. Run wire through joist and roll up 1' - 2' (0.30 m - 0.60 m) extra wire in area the light will be installed. Staple to the side of the joist (making sure not to staple through the wire).
3. Cap off all unused female connections on splitters using caps provided or weather resistant silicone. (9G)



## INSTALLING THE LIGHTS

- » Install ceiling of your choice. Make sure to remember where wire end is located.
- » Mark where the light is to be installed and use 4-5/8" or 120 mm hole saw to bore hole, (a jig saw can be used instead of a hole saw).
- » Reach up through the hole and pull out wire end and attach to light.
- » Fold orange springs up and push light into opening. The springs will fold down and hold light in place.
- » If using directional feature, spin light so it shines on desired area.

## MODIFICATIONS AND SPECIAL CASES



### 10A. SINGLE PICTURE FRAME/ BREAKER BOARD FLAT BLOCKING

- »Place a horizontal nailer flush with the top of the joist from the ledger board to the rim joist.
- »Caulk between the blocking and the joists seam.
- »Cover nailer with trough, making sure to overlap adjoining downspout and trough.
- »Cover all seams with 4" butyl tape and anywhere a screw can penetrate.

**NOTE:** Do not use larger than 2"x6" flat blocking.



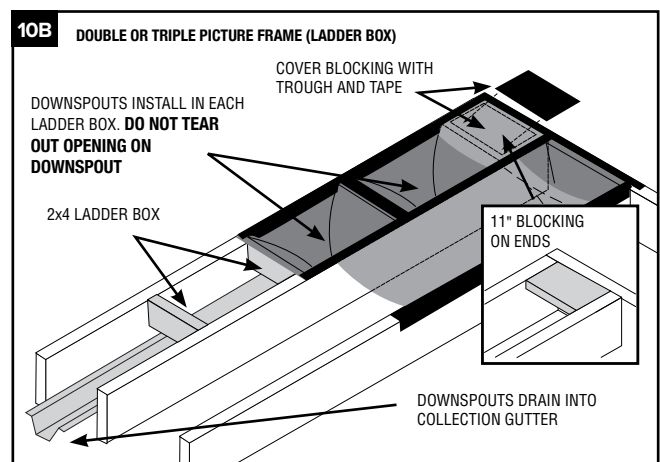
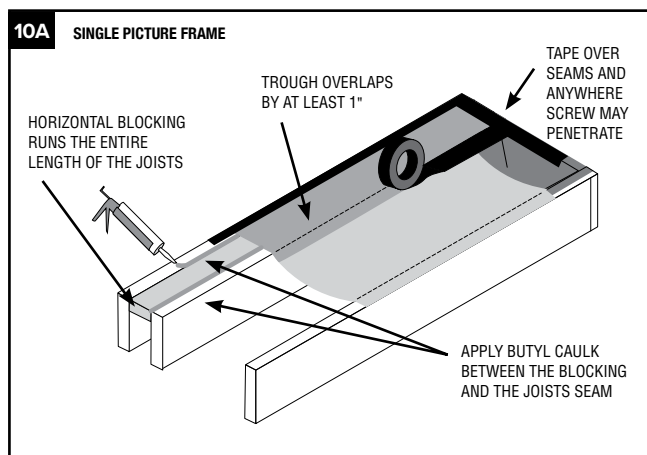
SCAN FOR VIDEO

### 10B. DOUBLE OR TRIPLE PICTURE FRAME: LADDER BOX

- »Place a 11" blocking horizontally on the ends of the bay to support 45° decking.
- »Install a 2x4 ladder box to support downspouts.
- »Trim off all downspout nozzles to accommodate gutter.
- »Place downspouts into ladder box (**DO NOT REMOVE SIDE OPENINGS**).
- »Install a piece of trough material over the 11" blocking, making sure to overlap downspouts and the adjoining trough.
- »Tape over blocking, joints and seams making sure that all screw penetrations go through trough and tape.



SCAN FOR VIDEO



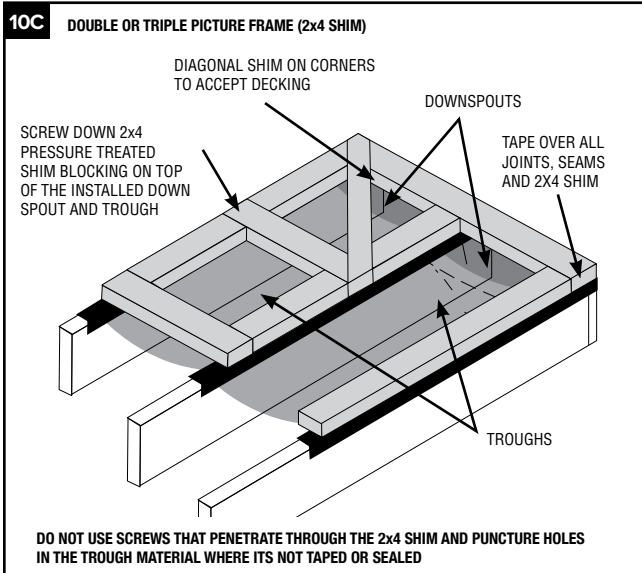
## MODIFICATIONS AND SPECIAL CASES

### 10C. DOUBLE OR TRIPLE PICTURE FRAME: 2x4 SHIMS



SCAN FOR VIDEO

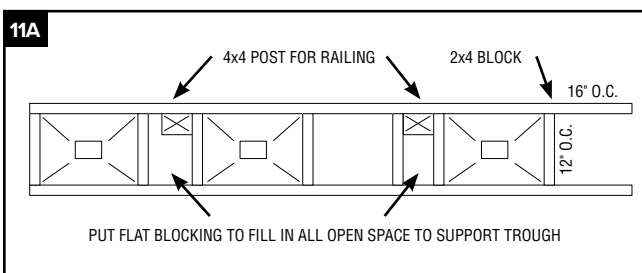
- » Install the Trex RainEscape system as per previous instructions. (pgs. 5-10)
- » Tape all joints and seams.
- » Screw down 2"x4" pressure-treated shim blocking on top of the installed the RainEscape system over the joists and wherever blocking is needed to support deck boards.
- » Attach decking. (When attaching decking use fasteners that do not penetrate all the way through the 2"x4" shim).



### 11. INSTALLING RAILING USING THE LADDER BOX METHOD

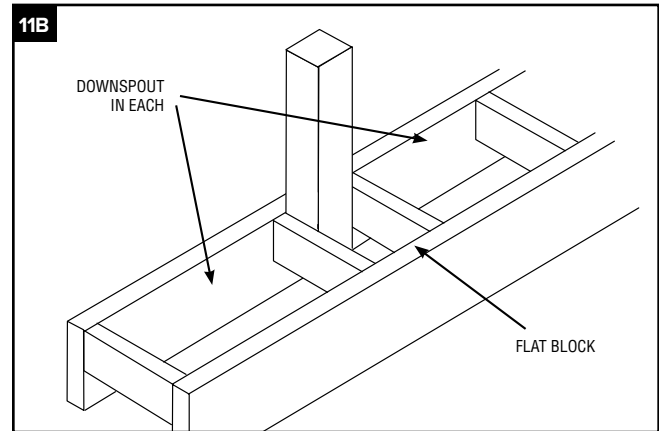
If installing an inset post with double picture frame using ladder box method:

- » Decide where each post will need to be attached
- » Use vertical and flat blocking at desired location as shown. (11A)



- » Cover all flat blocking with trough material and caulk all seams.

- » Caulk around all flat blocking. Cover with trough material and tape all seams.



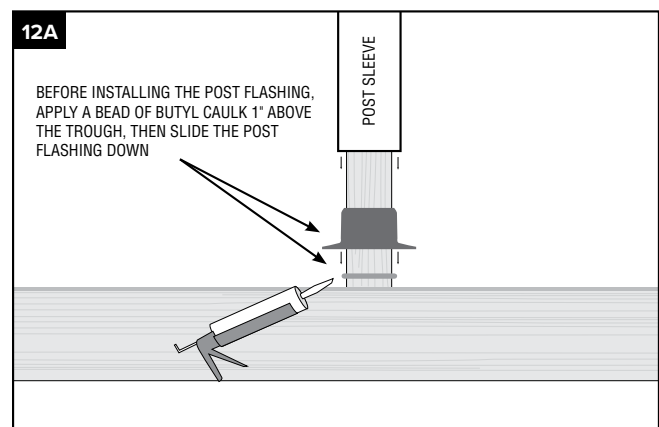
### 12. USING THE TREX RAINESCAPE 4x4 POST FLASH



SCAN FOR VIDEO

- » Install the trough.
- » Run a bead of butyl caulk around the post, no more than 1" above the base of the post. Also, add a bead of caulk at the joint. (12A)
- » Slide the post flash down over the bead of butyl caulk, and tape the flanges to the top of the trough and then tape the top of the post flash to the 4x4 post.
- » After decking is installed, attach the post sleeve.
- » If no post sleeve is used for the final deck, trim the post flash to the height of the finished deck. (12E)

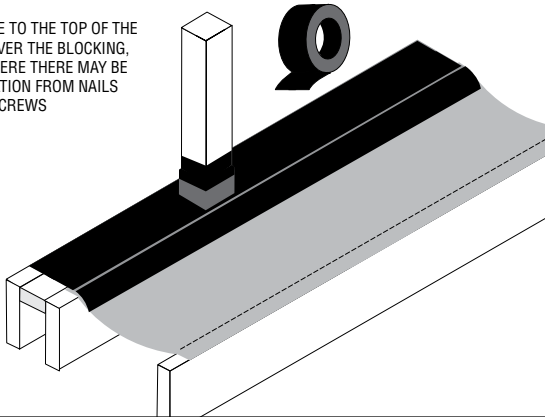
*NOTE: Post flash only available for 4x4 posts. See Section 13 for other sizes and obstructions.*





**12B**

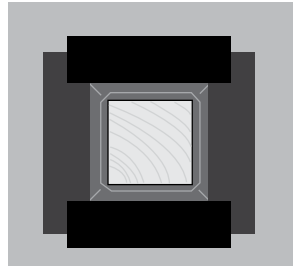
APPLY TAPE TO THE TOP OF THE TROUGH OVER THE BLOCKING, OR ANYWHERE THERE MAY BE A PENETRATION FROM NAILS OR DECK SCREWS



**12C**

TOP VIEW

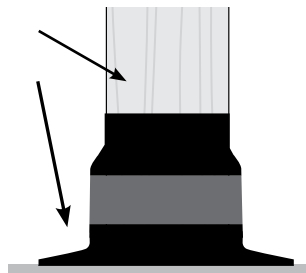
APPLY TAPE TO THE FLASHING AND THE TROUGH MATERIAL



**12D**

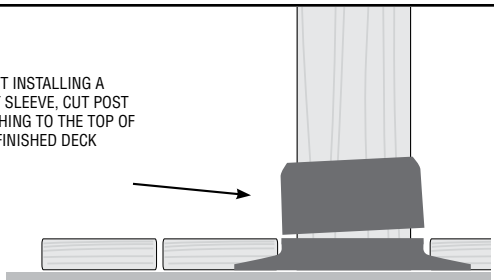
SIDE VIEW

IF USING A POST SLEEVE APPLY TAPE TO THE FLASHING AND THE POST



**12E**

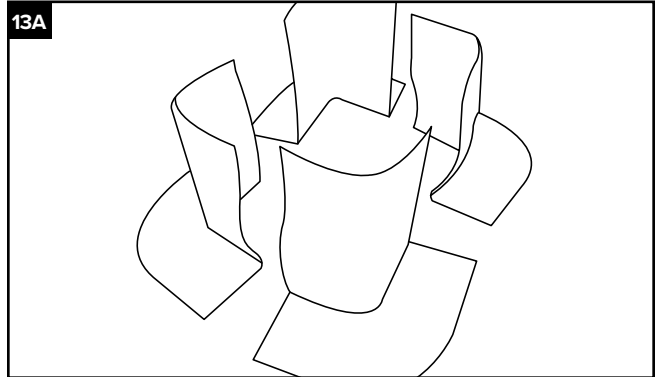
IF NOT INSTALLING A POST SLEEVE, CUT POST FLASHING TO THE TOP OF THE FINISHED DECK



**13A. RAILING POSTS, 6x6 POSTS & OBSTRUCTIONS WHEN USING 4x4 POST FLASH**

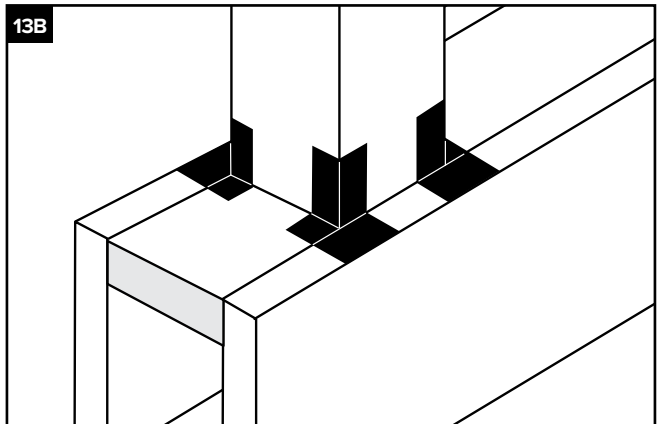
- »To install a post or obstruction on the inside rim joist, first mark the edges of the post on the trough and draw two lines, corner to corner. Cut along the diagonal lines. (13A)
- »Pull up tabs and install the post.
- »Staple remaining trough to cover flat block. (10A)
- »Cut the post flash into four even sections. (13A)

**13A**



- »Attach one piece to each corner of the post. (13B)
- »Tape starting at bottom of the trough, up the post overlapping layers to assure a water tight seal working up around the post extending down onto the trough. (13B)

**13B**



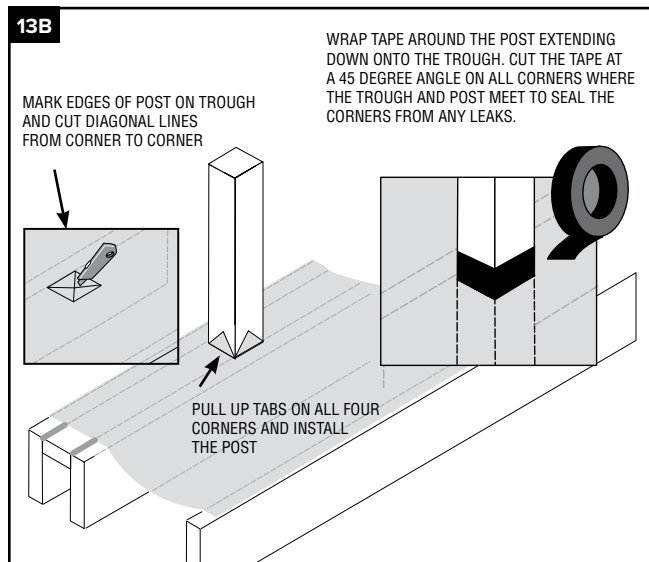
## MODIFICATIONS AND SPECIAL CASES

### 13B. RAILING POSTS, 6x6 POSTS AND OBSTRUCTIONS WHEN NOT USING 4x4 POST FLASH



SCAN FOR VIDEO

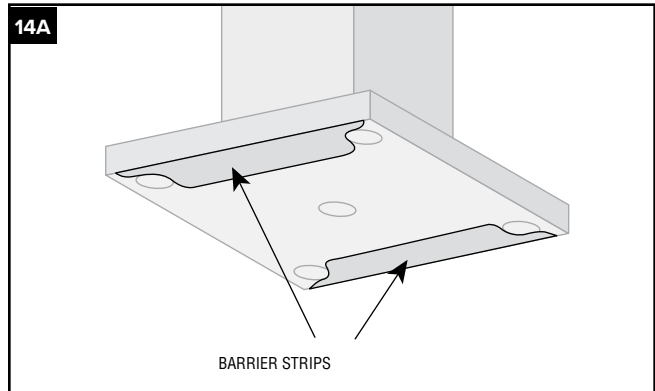
- »To install a post or obstruction on the inside rim joist, first mark the edges of the post on the trough and draw two lines, corner to corner. Cut along the diagonal lines.
- »Pull up tabs and install the post.
- »Staple all remaining trough over flat blocking (13B).
- »Add a bead of caulk at the post/trough junction before adding the post flash corner.
- »Tape starting at bottom of the trough, up the post overlapping layers to assure a water tight seal working up around the post extending down onto the trough. Cut the tape at a 45-degree angle on all corners. Place a small piece of tape over the corners where the trough and post meet, to seal the corners from any leaks. (13B)



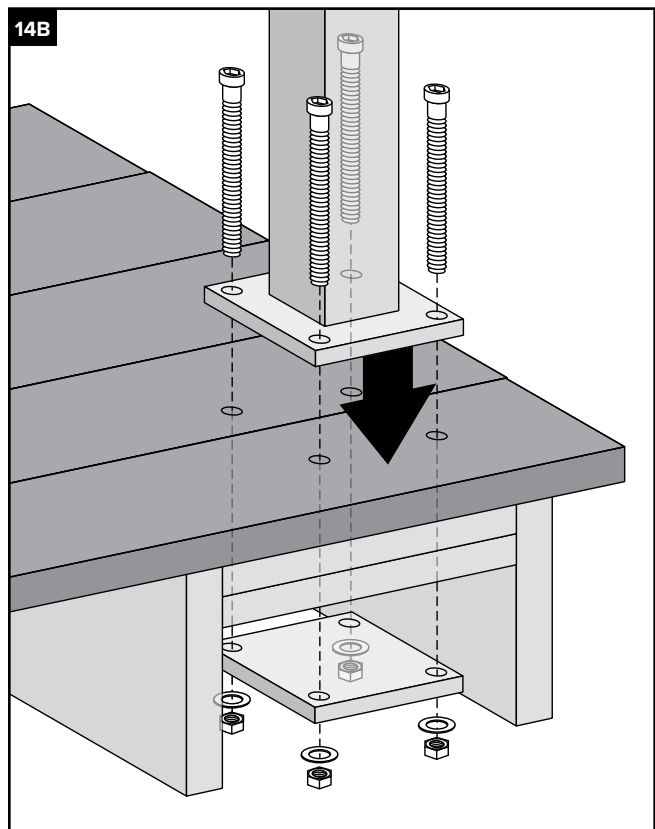
### 14. SURFACE POST MOUNT TO SOLID BEAM OR FLAT BLOCKING

- »When using surface mount post, pre-drill holes then use a small amount of butyl caulk on screw threads to seal holes.
- »DO NOT use too much butyl caulk or it will overflow on deck and post mount.

*NOTE: Please refer to Trex.com for detailed post mount instructions.*



- »Insert the (2) stainless steel barrier strips under the mounting bolt holes. Barrier strips are required only if attaching post directly to pressure treated framing.



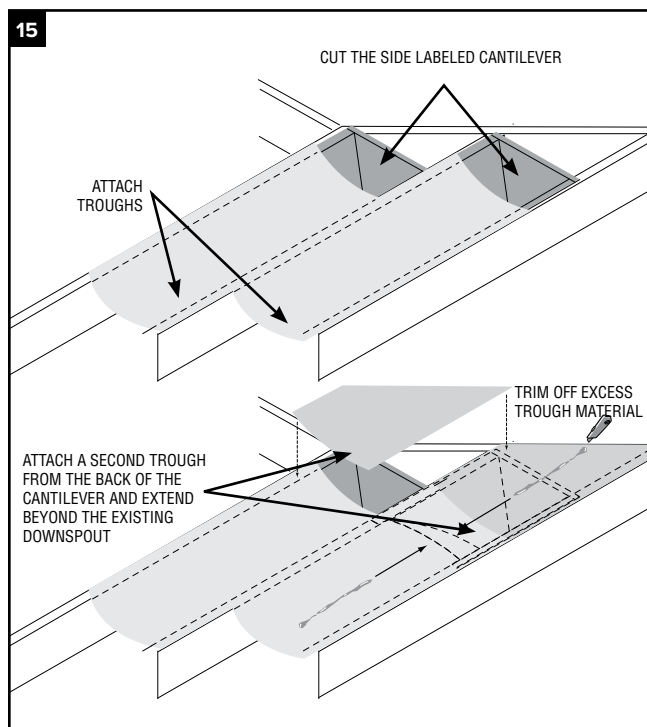
- »Attach posts using four 3/8" x 6" (1 cm x 15.2 cm) hex cap bolts, washers, and nuts, along with aluminum back plate on underside of blocking.

## 15. CANTILEVERED DOWNSPOUT

- »Tear off the cut-out on the front panel of the downspout as described on page 5, instruction #2.
- »Cut the downspout following the cantilever line. This line will be marked on the downspout.
- »Staple the trough material from the end of the cantilever over the existing trough. Repeat all the steps as necessary for trough installation.
- »Tape over all joists and seams.



SCAN FOR VIDEO

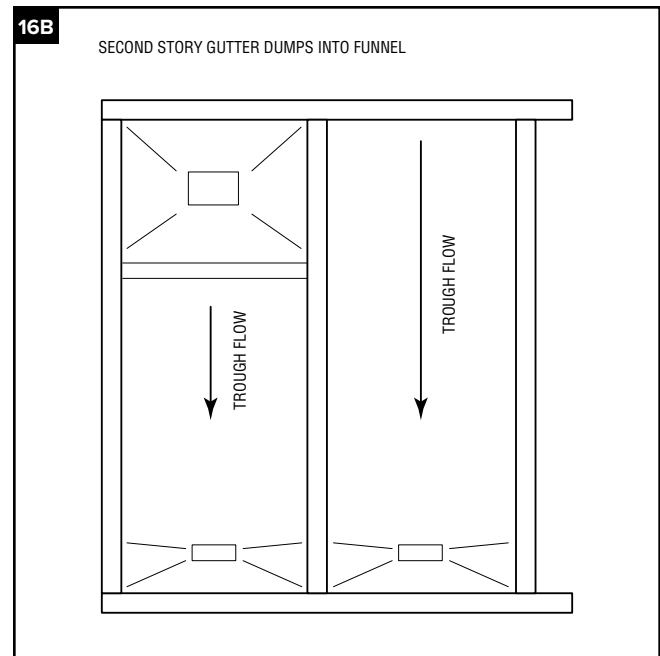
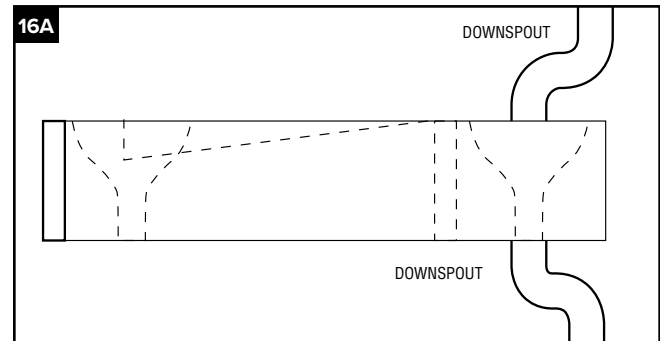


## 16. DRAINING SECOND STORY GUTTER ON DECK

- »Block out a 12" x 16" o.c. rectangle where the second story gutter discharges onto the deck. (16B)



SCAN FOR VIDEO



- »Place downspout in rectangle (do not remove openings).
- »Tape downspout in place.

## MODIFICATIONS AND SPECIAL CASES

### 17. INSTALLING A TROUGH OVER A DOUBLE OR TRIPLE JOIST/BEAM

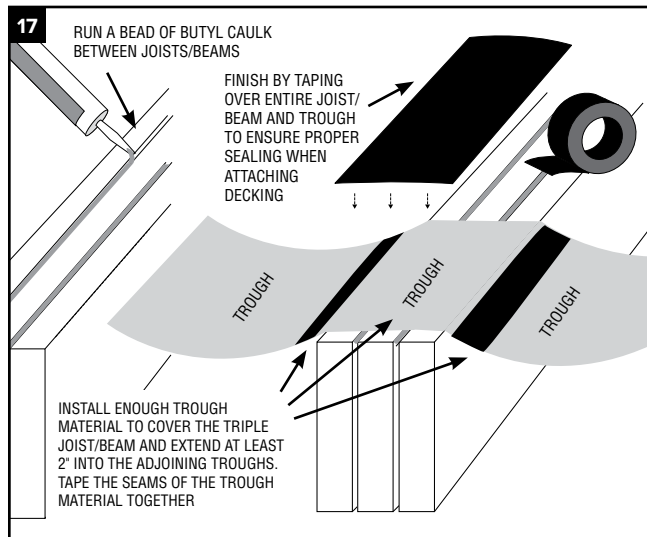
- »Caulk between each joist/beam to ensure a water tight seal between the joists/beams.
- »Cover the top of the joist/beam with the trough material that overlaps into both adjacent bays. Tape seams and trough material where screw penetration may occur.
- »Tape over the top of the triple joist/beam and trough material that sits on top of the joist/beam.



SCAN FOR VIDEO

**NOTE:** All wood must be covered with trough material and taped wherever decking will be screwed.

If installing a post in this location, consult with the local building code official prior to installation to ensure all code and safety requirements are met.

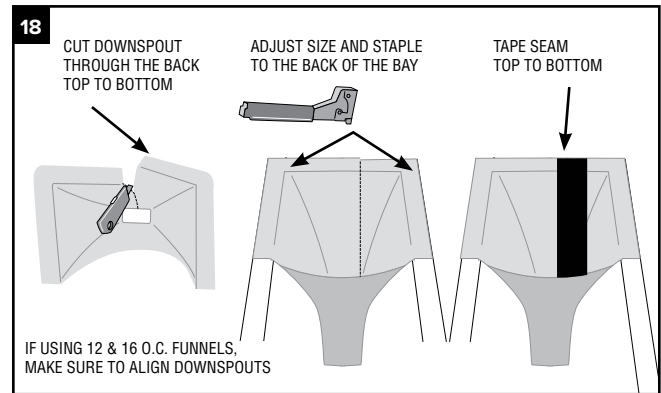


### 18. MODIFIED DOWNSPOUTS

- »For odd joist spacing you must modify the downspout.
- »Tear or cut out the front opening.
- »Cut through the back of the downspout halfway down, so that downspout fits bay opening.
- »Adjust the downspout to fit in the bay and staple to secure.
- »Finish by taping the seam from top to bottom.

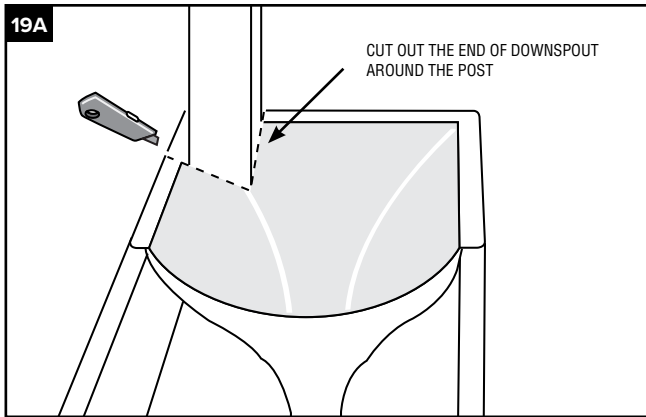


SCAN FOR VIDEO

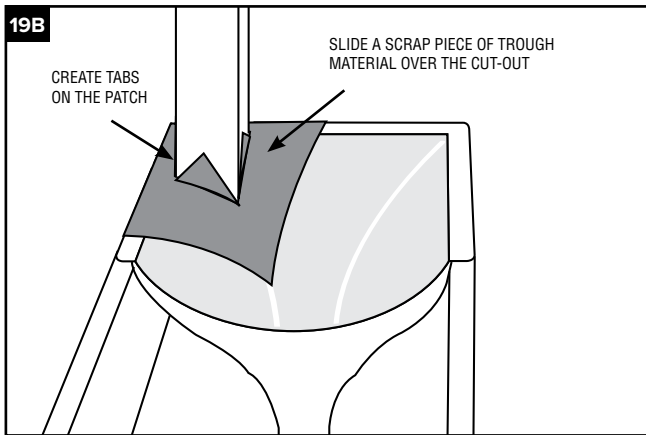


## 19. MODIFYING DOWNSPOUT FOR OBSTRUCTIONS

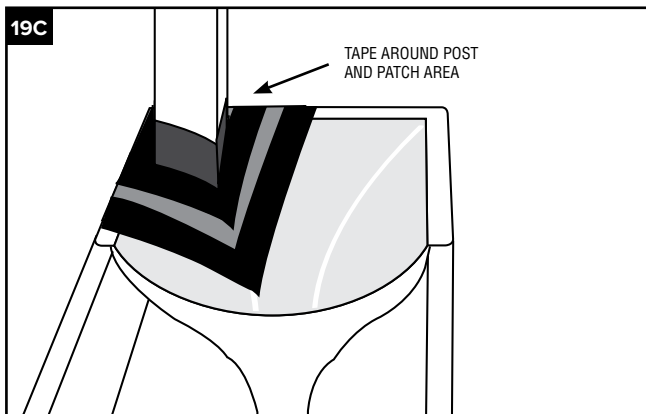
»Trace the obstruction on the downspout and remove the material with a knife. (19A)



»Cut a patch of trough material 2" larger than the opening and create flaps on patch as per previous instructions (obstructions and posts) and slide over the top of the obstruction. (19B)



»Use caulk as necessary. Tape over seams starting at bottom of patch, then up patch overlapping layers to ensure a water tight seal. (19C)



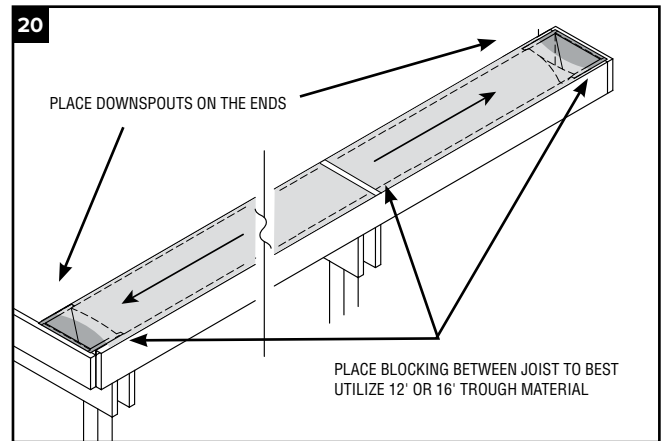
## 20. DOUBLE EXTENDED DECKS (OVER 19')

»Place downspouts on the opposite ends from where the existing deck and the deck extension meet.



»Install a trough from the blocking of the extension to the downspout.

»Tape all seams & edges as per previous instructions.



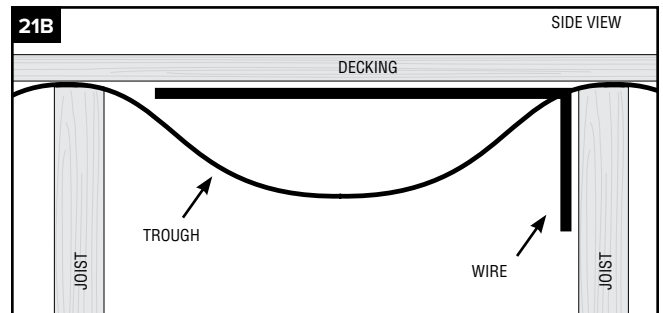
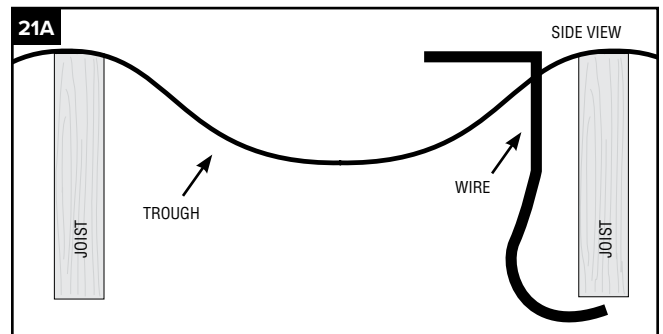
## 21. RUNNING WIRES OR OBSTRUCTIONS THROUGH TROUGH OR DOWNSPOUT

»Two ways to run wire through Trex Rainescape system:

### #1 PENETRATION THROUGH TROUGH

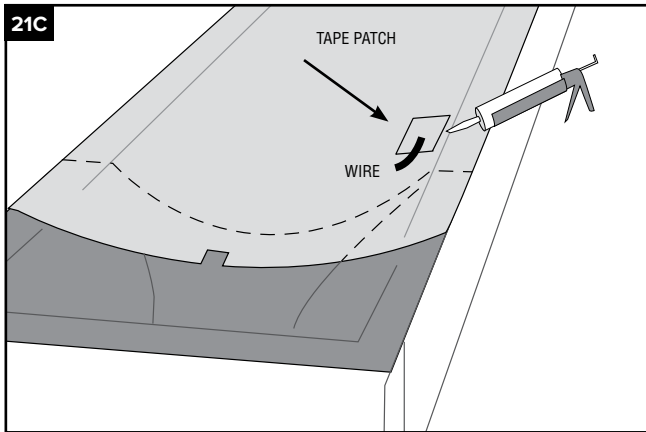
»Pick bay for penetration.

»Mark near joist where wire will penetrate. Keeping it close to joist helps with connection point and hole is at highest point of trough. (21A)

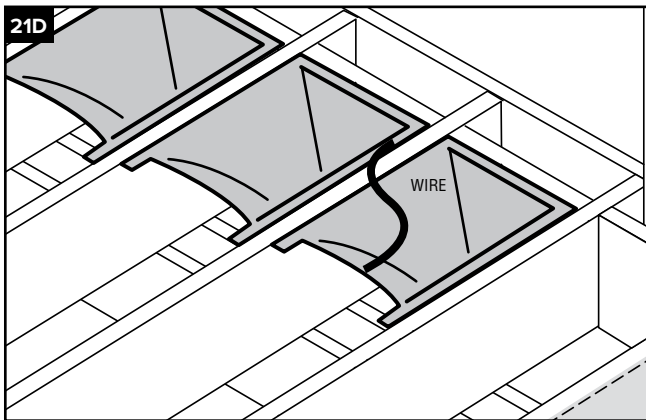


## MODIFICATIONS AND SPECIAL CASES

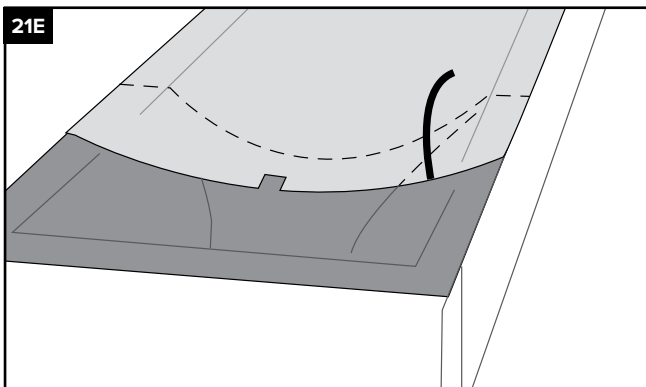
»Cut hole to fish wire going up through side of joists. Apply butyl caulk around wire and tape over wire and caulk. (21C)



### #2 THROUGH OPENING WHERE DOWNSPOUTS MEET TROUGH

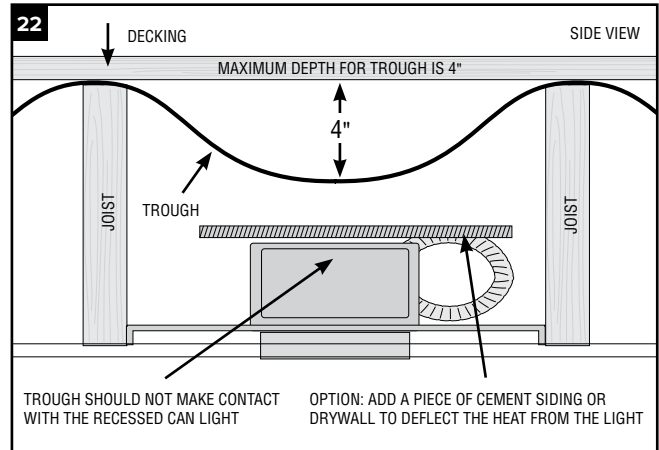


»Fish wire up through the gap between the trough and downspout. (21D)



### 22. INSTALLING LOW PROFILE CAN LIGHTS

»When installing low profile can lights below the trough, make sure the light does not come in contact with the trough material. (22)

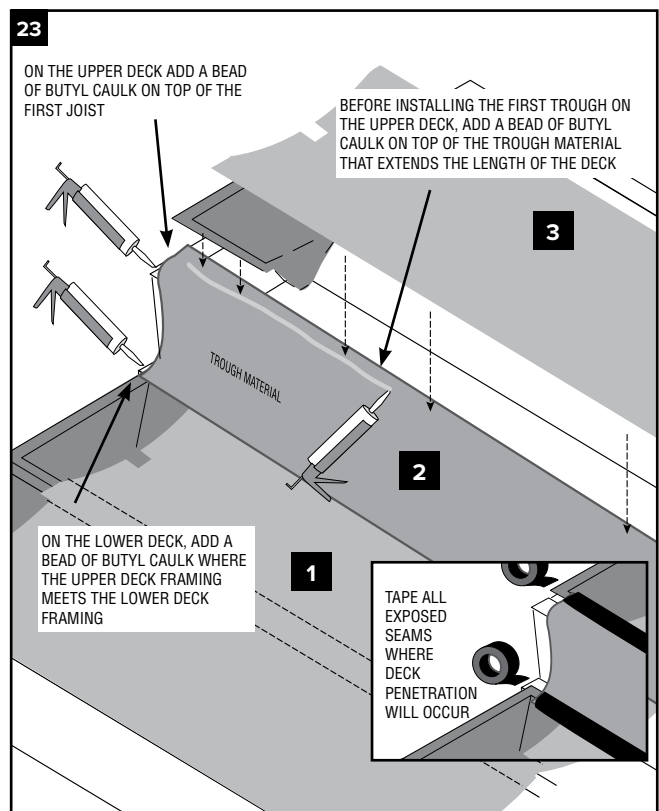


### 23. DECK STEP

1. Install the downspouts and troughs on the lower deck. (23)
2. Install the trough and downspouts on the top deck. (23)

»After step 2 is complete, finish the installation of the troughs and downspouts on the upper deck.

»Tape over all exposed seams and where deck screws will penetrate.



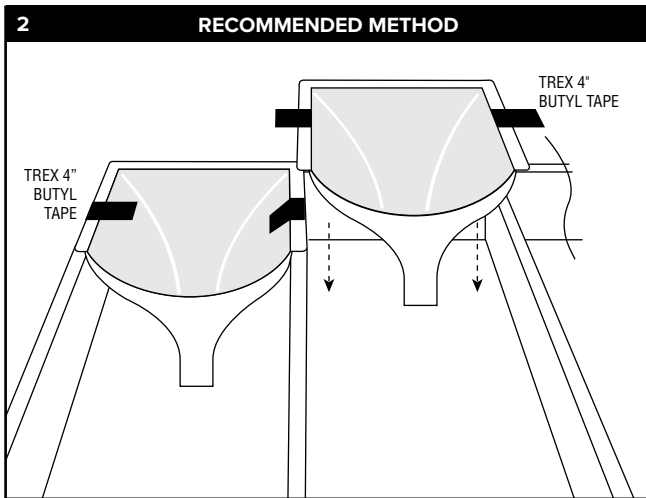
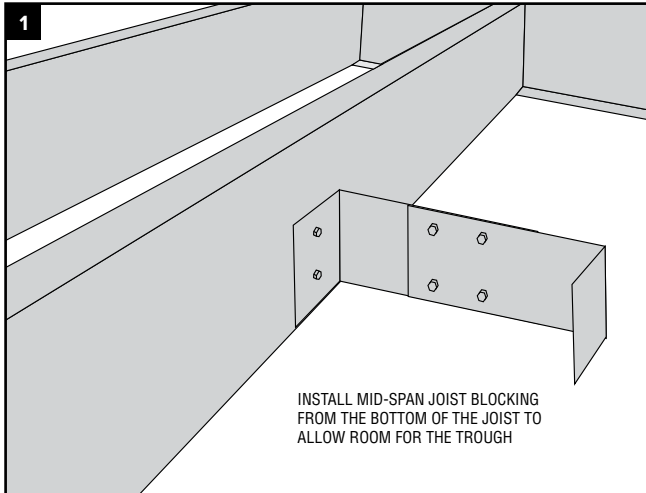
# INSTALLATION USING A STEEL JOIST SYSTEM

## TWO METHODS:

### 1. PREP

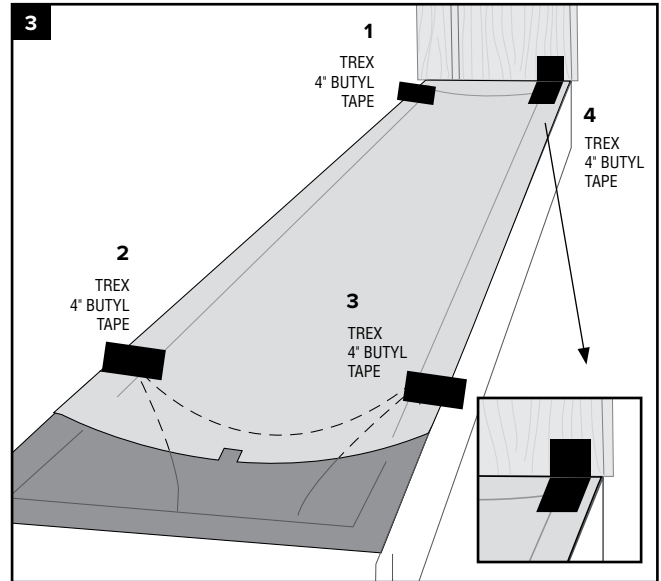
»Apply blocking mid-span between joists.

*NOTE: To properly install the Trex RainEscape system over the steel joist system requires a minimum of two people.*



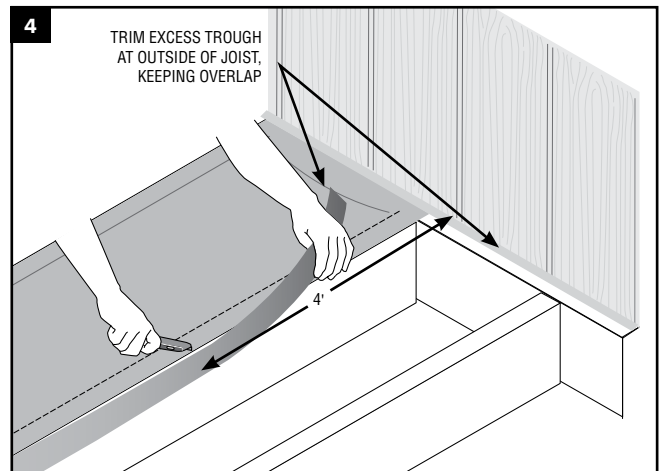
»Take 3-4" of the Trex RainEscape 4" butyl tape to hold downspouts to deck joists. Tape on either side of downspout to secure.

»Instead of using staples, attach the trough material with Trex 4" Butyl tape at corners 1, 2, and 3. (3)

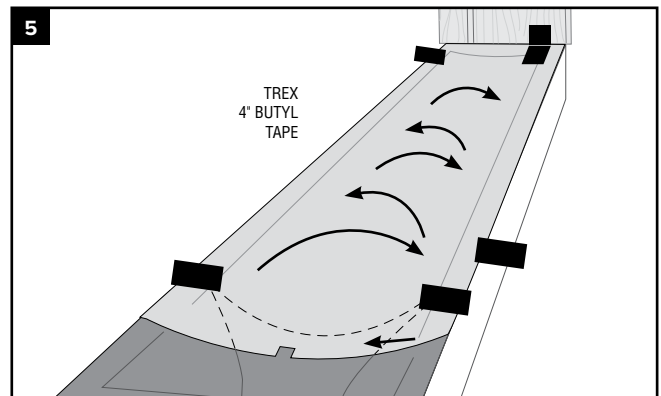


»At corner 4 pull trough material tight across and tape at joist onto wall or rim joist. (3)

»Trim excess trough, keeping overlap so trough covers the top of the joist. (4)



»Take 3-4" of the Trex RainEscape 4" butyl tape and tape trough down every 18" to 20", alternating back and forth from side to side. (5)



# WARRANTY

## TREX® RAINESCAPE® LIMITED TWENTY-FIVE YEAR WARRANTY

READ THESE WARRANTY TERMS CAREFULLY BEFORE INSTALLING OR USING THE TREX® RAINESCAPE® DECK DRAINAGE SYSTEM ("SYSTEM") AND/OR TREX® RAINESCAPE® SOFFIT LIGHTS ("SOFFIT LIGHTS"). INSTALLATION AND USE OF THE SYSTEM, ANY COMPONENTS OF THE SYSTEM AND/OR THE SOFFIT LIGHTS SHALL CONSTITUTE YOUR AGREEMENT TO BE BOUND BY ALL OF THE TERMS AND CONDITIONS OF THIS WARRANTY. IF YOU DO NOT AGREE TO ALL OF THE TERMS AND CONDITIONS OF THIS WARRANTY, RETURN THE TREX RAINESCAPE DECK DRAINAGE SYSTEM TO THE PLACE OF PURCHASE FOR A FULL REFUND.

1. **WARRANTY.** IBP, LLC ("IBP") warrants to the original end use purchaser ("Owner") that the Trex® RainEscape® Deck Drainage System (excluding all tapes and similar ancillary products), and/or Trex® RainEscape® Soffit Lights (the latter specifically excluding all Electrical Components, defined below) (the "Products") will, except with respect to LED lights and Soffit Light powder coating as provided below, be free from defects in materials or workmanship under normal and proper use for a period of twenty-five years from the date of purchase ("Warranty Period") and that the Trex® RainEscape® branded Products will conform to IBP's published manufacturer specifications, but only with respect to use of the Products on the original structure to which it was installed. THIS WARRANTY IS SUBJECT TO ALL OF THE TERMS AND CONDITIONS SET FORTH HEREIN. This limited warranty shall not apply if (i) the Owner fails to install and maintain the Products in strict compliance with IBP's installation and maintenance instructions, (ii) the Products have been damaged as a result of misuse or abuse, by accident or by negligence, including, without limitation, striking, breaking, dropping, puncturing, cutting, burning or melting the Products and all other activities which cause damage to the Products, (iii) the Products have been damaged as a result of shifting soils, (iv) the Products have been damaged as a result of exposure to long-wave infrared energy reflected from low emissivity glass, (v) the Products have been damaged as a result of an Act of God, including, without limitation, hurricanes, tornadoes, floods, earthquakes, blizzards, prolonged severe rainstorms and snowstorms, forest, wild or other fires and other severe weather events or other natural phenomena, (vi) the Products has been damaged as a result of the disposal of caustic substances on or through the System, (vii) the System has been altered, (viii) the System has been damaged as a result of improper storage, handling or use of the System, or (ix) the System fails to perform to IBP's published specifications for any reason other than defects in materials or workmanship. The warranty term for LED lights shall be five (5) years and for Soffit Light powder coating shall be ten (10) years. Subject to the conditions set forth in this Limited Warranty, IBP will, at its option, either repair or replace parts/product which proves to be defective during the warranty period.

2. **DISCLAIMER OF ALL OTHER WARRANTIES.** The preceding warranty is the sole and exclusive warranty, express or implied, extended by IBP with respect to the System and the Soffit Lights. The express warranty set forth above supersedes any and all prior, contrary or additional warranties and representations, whether written or oral. The preceding warranty as to Soffit Lights extends only to Trex® RainEscape® branded Soffit Lights and not to any wiring, extension cords, splitters, transformers, remote controls, timers, dimmers or other electrical products ("Electrical Components") which are not Trex® RainEscape® branded Electrical Components. For warranty and other information relating to DEKOR branded Electrical Components, visit [www.dekorlighting.com](http://www.dekorlighting.com). THE WARRANTY SET FORTH ABOVE IS EXCLUSIVE AND IN LIEU OF ALL OTHER WARRANTIES BY IBP, EXPRESS OR IMPLIED, ALL OF WHICH ARE HEREBY DISCLAIMED AND EXCLUDED BY IBP, INCLUDING WITHOUT LIMITATION ANY WARRANTY OF MERCHANTABILITY, FITNESS FOR A PARTICULAR PURPOSE AND ALL WARRANTIES ARISING BY COURSE OF DEALING, COURSE OF PERFORMANCE, OR USAGE OR TRADE. NO EMPLOYEE, REPRESENTATIVE, AGENT OR DISTRIBUTOR OF THE PRODUCTS HAS ANY AUTHORITY TO BIND IBP TO ANY UNDERSTANDING, AGREEMENT, REPRESENTATION OR WARRANTY EXCEPT AS STATED IN ABOVE.

3. **EXCLUSIVE REMEDY FOR BREACH OF WARRANTY.** If during the Warranty Period, the System or Products do not conform to the Warranty set forth herein with respect to the original structure to which it was installed and if the Owner shall provide IBP with written notice of the claimed defect and otherwise comply with the terms set forth below, then within a reasonable time of its determination that the System or Products do not conform to the Warranty set forth above IBP will, at its option and in its sole discretion, either: (i) provide replacement parts/components for any nonconforming or defective parts/components, or (ii) remit to Owner the percentage of the purchase price Owner paid to purchase the non-conforming System parts/components equal to the percentage of the Warranty Period remaining from the time Owner notified IBP, in the manner provided below, of the nonconformity. THESE REMEDIES ARE THE EXCLUSIVE AND SOLE REMEDIES FOR ANY BREACH OF WARRANTY. Consequently, without limiting the generality of the foregoing, IBP will not under any circumstances provide or be liable for labor costs, costs of removal or reinstallation of parts/components of the System or Products, disposal costs, freight, taxes, or any other costs, charges or expenses incurred by Owner in connection with any nonconforming or defective parts/components

4. **DISCLAIMER OF INCIDENTAL AND CONSEQUENTIAL DAMAGES.** IBP SHALL HAVE NO LIABILITY OF ANY KIND FOR ANY SPECIAL, INDIRECT, INCIDENTAL, CONSEQUENTIAL, PUNITIVE, TREBLE, EXEMPLARY OR OTHER SIMILAR LOSS OR DAMAGE ARISING UNDER OR AS A RESULT OF THIS LIMITED WARRANTY (WHETHER ARISING IN CONTRACT, TORT, STRICT LIABILITY OR OTHERWISE), INCLUDING, WITHOUT LIMITATION, ANY LIABILITY FOR DAMAGES ARISING OUT OF OR RESULTING FROM IBP'S FAILURE TO TIMELY DELIVER SYSTEM PARTS/COMPONENTS AND/OR THE PRODUCTS, FROM THE USE, MISUSE, INABILITY TO USE THE SYSTEM AND/OR SYSTEM PARTS/COMPONENTS AND PARTS, FROM THE PERFORMANCE OF THE SYSTEM AND/OR SYSTEM COMPONENTS OR PARTS OR FROM ANY ACT OR FAILURE TO ACT BY IBP. However, some states do not allow the exclusion or limitation of incidental or consequential damages, so the above limitations may not apply to you.

5. **PROCEDURE FOR INITIATING A WARRANTY CLAIM.** As a condition precedent to Owner's right to seek a remedy for a System, System products/components and/or Soffit Lights which allegedly does not conform to the warranty set forth in this Limited Warranty, Owner must strictly comply with all of the terms of this Limited Warranty; if Owner fails to strictly comply with all of the terms of this Limited Warranty, IBP shall have no obligation or liability of any kind or nature under this Limited Warranty. Owner must notify IBP, in writing, at the address set forth below, of the alleged failure to conform to the warranty within thirty (30) days after Owner discovers the alleged nonconformity. The notice must also provide clear, unaltered pictures of the alleged non-conformity, describe with reasonable specificity the location and nature of the alleged nonconformity and its proximity to any low emissivity glass, include the original invoice or other proof of purchase, provide evidence establishing that the Owner was the initial purchaser of the Product, provide evidence establishing the date the Product was purchased, provide evidence establishing the address of the site where the Product was initially installed, and provide the Owner's name and contact information. Thereafter, Owner must cooperate with IBP by promptly supplying such additional information as IBP may reasonably request in order to establish whether or not System, System parts/components and/or Soffit Light(s) failed to conform to the warranty set forth herein and by providing IBP and/or its representatives with access to the System, System parts/components and/or Soffit Light(s) to conduct any reasonable inspection which IBP deems necessary. If Owner fails to supply IBP with such additional information as IBP may reasonably request or if Owner fails to supply IBP or its representatives with access to the System, System parts/components and/or Soffit Light(s) to conduct any reasonable inspection within ninety days following request by IBP, IBP shall have no obligation or liability of any kind or nature under this Limited Warranty. IBP shall have a reasonable period in which to determine if the System, System parts/components and/or Soffit Light(s) failed to conform to the warranty set forth in this Limited Warranty.

6. **LIMITATIONS PERIOD.** No action under this Agreement may be brought by Owner against IBP more than one (1) year after Owner discovers the alleged nonconformity of the System, System parts/components and/or Soffit Light(s).

7. **APPLICABLE LAW; VENUE.** This Limited Warranty shall be governed by, construed and interpreted in accordance with the laws of the State of Colorado, USA (excluding the choice of law rules thereof). Owner hereby (a) agrees that all disputes and matters whatsoever arising under, in connection with, or incident to this Limited Warranty shall be litigated, if at all, in and before a court located in the State of Colorado to the exclusion of the courts of any other state or country, and (b) irrevocably submits to the exclusive jurisdiction of the District Court for the County of Arapahoe, Colorado in any action or proceeding arising out of or relating to this Limited Warranty, and hereby irrevocably waives any objection to the laying of venue of any such action or proceeding in such court and any claim that any such action or proceeding has been brought in an inconvenient forum.

8. **SEVERABILITY.** If any covenant or agreement set forth in this Limited Warranty conflicts with any applicable statute, law, rule or regulation, such covenant or agreement shall be deemed by to be modified but only to the extent necessary to conform to what is allowed under such statute, law, rule or regulation. If for any reason whatsoever, any one or more of the provisions of this Limited Warranty shall be held or deemed to be inoperative, unenforceable or invalid as applied to any particular case or in all cases, such circumstances shall not have the effect of rendering such provision invalid in any other case or of rendering any of the other provisions of this Limited Warranty inoperative, unenforceable or invalid.

9 **ADDRESS FOR NOTICES TO IBP:** IBP, LLC, 2190 W. Bates Ave., Englewood, CO 80110.

This warranty gives you specific legal rights, and you may also have other rights which vary from State to State.

Trex® is a trademark of Trex Company, Inc. and is used under license to IBP, LLC



## FREQUENTLY ASKED QUESTIONS



SCAN FOR VIDEO

### **Q: Do you have installation videos?**

**A:** Yes, scan the QR code to the right to view installation videos and photos.

### **Q: How do you clean out the debris?**

**A:** There should be very little, if any, debris that enters the system because it has to be small enough to fit through the decking. Regular deck maintenance prevents most debris build-up as small debris simply passes through the system with water. In the rare case that there is some build up, use the 2x4 access panel.

### **Q: Can I install this over an existing deck?**

**A:** Yes, however, it is ideally installed during new construction. You will need to remove the existing deck boards to install the system.

### **Q: How durable is the Trex RainEscape System?**

**A:** Trex RainEscape is made with durable poly and ultra violet inhibitors. This will protect the Trex RainEscape system from sun, snow and rain. The system comes with a 25-year warranty.

### **Q: Can I use Trex Protect tape when installing the Trex RainEscape system?**

**A:** No, Trex Protect is used to protect the joists and beams of a deck foundation. It cannot be used to install the Trex RainEscape system.

### **Q: How bright is the Trex RainEscape Soffit light?**

**A:** The output of the Trex RainEscape Soffit light is about 445 lm which is roughly equivalent to a 45W floodlight in the same color temperature.

### **Q: Can I install the Trex RainEscape system near Low-E doors and windows?**

**A:** Yes, but caution must be used. Low-E glass reflects more sunlight, and it can be observed that the extra reflectivity combined with any concavity in the glass can act like a concave mirror, concentrating sunlight onto outdoor objects including decking. This can result in an extreme amount of heat in areas of the decking surface which can cause more movement of the deck than usual. Care should be used in choosing fasteners so as not to cause issues with the RainEscape system.

## QUESTIONS?

Call a Trex RainEscape specialist at 1-877-348-1385

**PRO2PRO**



Trex RainEscape  
**PRO2PRO**

lyvek  
dom

NEED INSTALLATION ASSISTANCE?  
OUR PRO2PRO INSTALLATION  
EXPERT IS HERE TO HELP.

### What is Trex RainEscape PRO2PRO?

- ✓ Free one-on-one live video installation training

### Why Contact the PRO2PRO Installation Expert?

- ✓ Assistance with first-time installation
- ✓ Quick visual demonstrations for complex or challenging installations
- ✓ A refresher on techniques to improve time and performance
- ✓ Sales PowerPoint on PK training

CONTACT OUR **PRO2PRO** INSTALLATION EXPERT  
MONDAY - FRIDAY 9 AM - 3 PM MT OR BY APPOINTMENT  
OR EMAIL [PRO2PRO@TREXRAINESCAPE.COM](mailto:PRO2PRO@TREXRAINESCAPE.COM)  
**1-877-348-1385**



Trex Protect is a non-skid, self-adhesive butyl tape. It protects the deck substructure from moisture that can lead to wood rot and the loosening of deck screws and fasteners.

---

FOR USE  
WITH ANY  
TYPE DECK

---



**Trex**® Protect  
JOIST, BEAM & RIM TAPE



SCAN FOR WEBSITE

For more information, scan the QR code to visit [trexprotect.com](https://www.trexprotect.com)

**Trex Protect cannot be used when installing Trex RainEscape.**

\*Visit [trexprotect.com](https://www.trexprotect.com) for the terms of this warranty



For more information,  
visit [trexseal.com](http://trexseal.com)



# PROTECT THE LEDGER



## Trex Seal

LEDGER & SUB-LEDGER TAPE